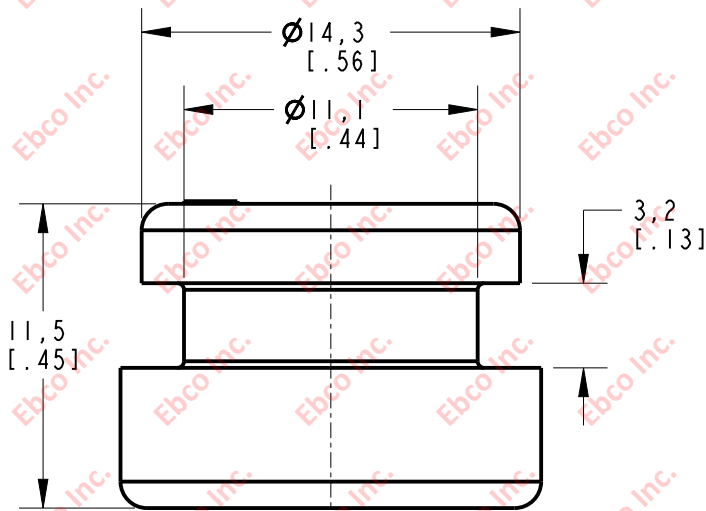
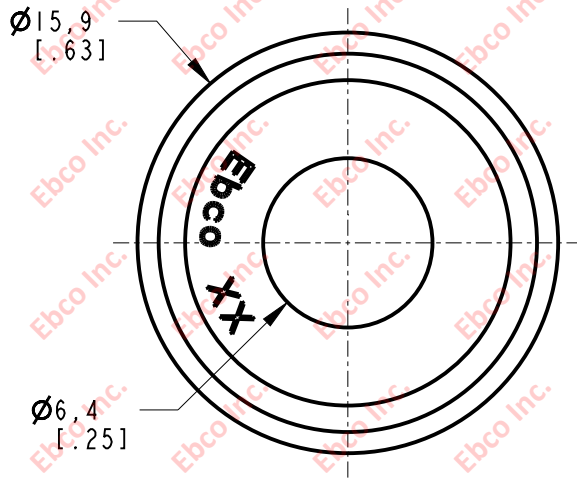


2002

IMP. NO.



TITLE: 2002	
THE INFORMATION CONTAINED IN THIS DRAWING IS THE SOLE PROPERTY OF EBCO. ANY REPRODUCTION IN PART OR AS A WHOLE WITHOUT THE WRITTEN PERMISSION OF EBCO IS PROHIBITED.	
TOLERANCES PER RMA STANDARD A3	REV. A
DATE: 12-07-23	UNITS: mm [ INCH ]
1330 HOLMES RD. ELGIN, IL 60123	

• AVAILABLE IN A VARIETY OF MATERIAL AND STIFFNESS

SPECIFICATIONS SUBJECT TO CHANGE