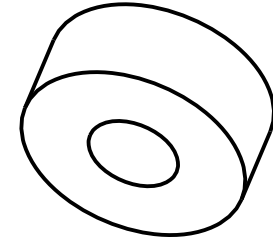


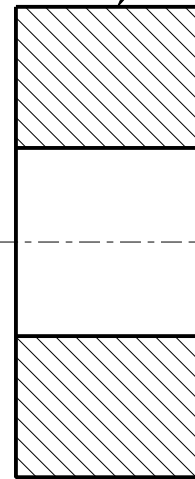
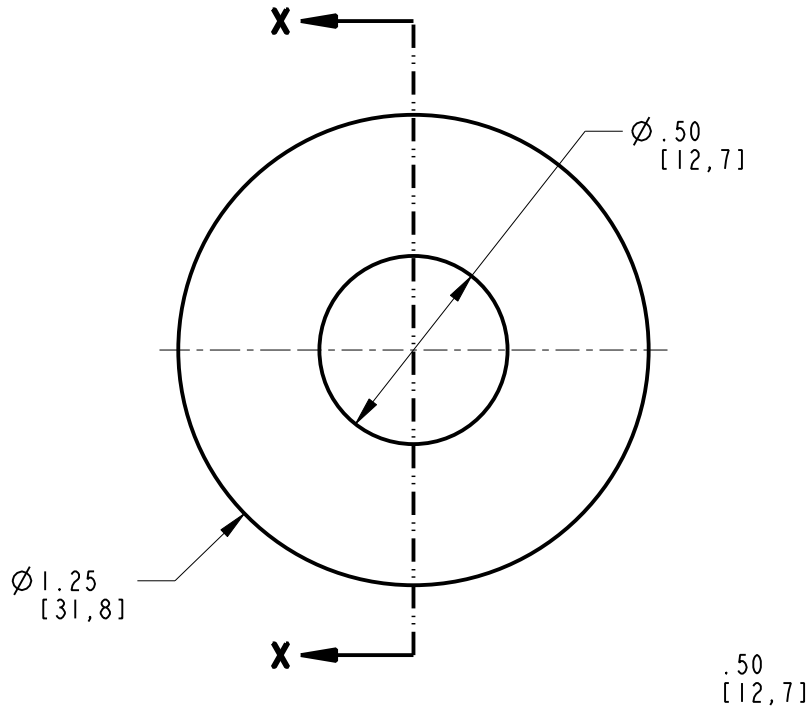
1870

DWG. NO.

REV	DATE	CHANGE DESCRIPTION	ENGR
01	01-19-07	INITIAL RELEASE	FA
02	03-23-07	PART NO. CHANGE FROM 60111 TO 1870 UPDATED FORMAT	EL



SCALE 1.000



.50
[12,7]

SECTION X-X

APPLY COLOR CODE
RED AND WHITE DOTS

ELASTOMER AND COLOR CODE SPECIFICATIONS

PART NO.	ELASTOMER	COLOR CODE	COLOR CODE METHOD
1870-035	0	RED & WHITE	DOTS

NOTES:

- MATERIAL:
ELASTOMER #0: NEOPRENE IN ACCORDANCE WITH ASTM D2000.
3 BC X14 A14 B14 C12 F17 K11 Z, WHERE X= REFERENCE DUROMETER TYPE "A", SEE P/N
AND Z= SUFFIX REQUIREMENTS APPLICABLE TO ONLY AVAILABLE DUROMETERS OF THIS GRADE.
- DIMENSIONING AND TOLERANCING PER ASME Y14.5M-1994 STANDARD.



DESIGNED BY: FA	MANUFACTURING DRAWING	
DATE: 01-19-07	DO NOT SCALE THIS DRAWING	THIRD ANGLE PROJECTION
REV. 02	NOTICE: THIS DRAWING CONTAINS PROPRIETARY INFORMATION AND MAY NOT BE USED FOR ANY OTHER PURPOSE THAN AS AUTHORIZED BY EBCO.	
TITLE: SPACER, RUBBER	DWG NO. 1870	UNITS INCH [MM]
TOLERANCES .XX=±.02 .XXX=±.010 ANG=±1°	SHEET 1 of 1	SCALE 2.000