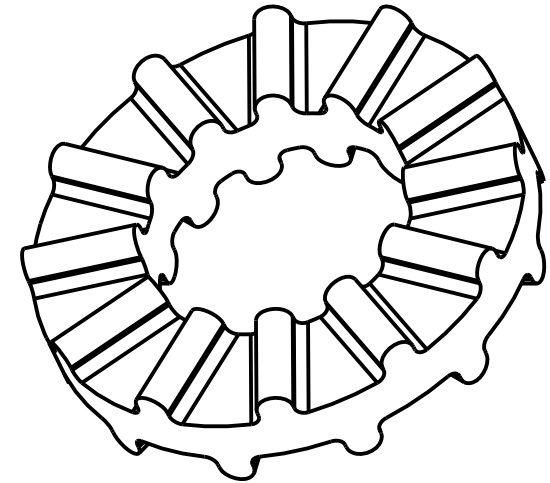
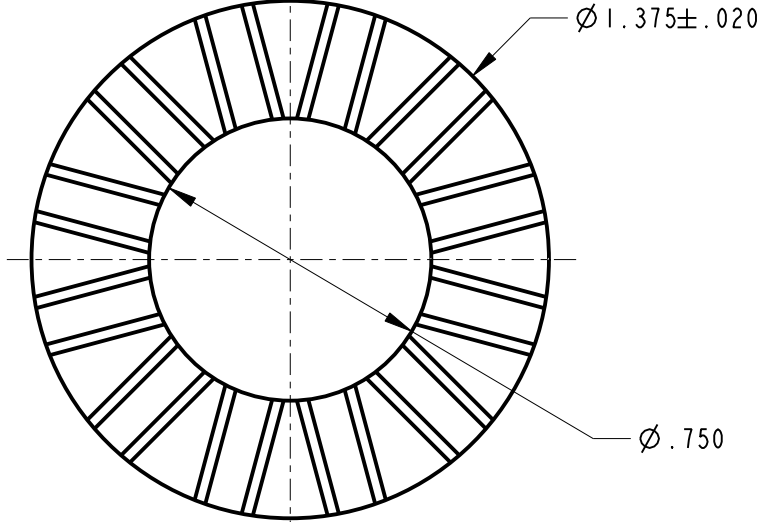


1900

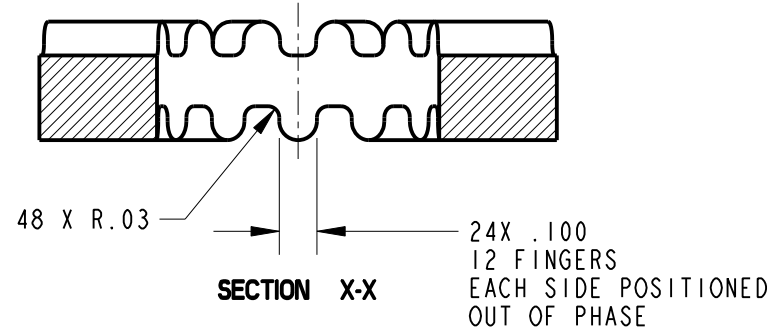
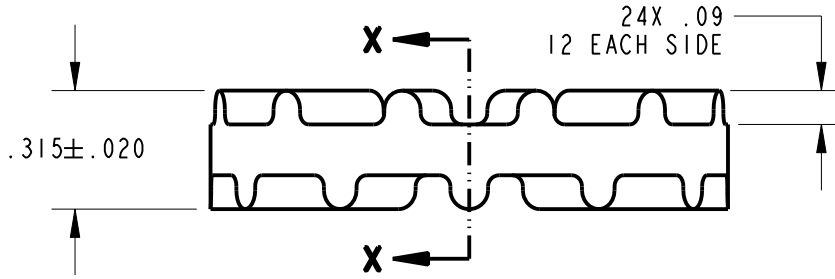
DWG. NO.

REV	DATE	CHANGE DESCRIPTION	ENGR
01	09-23-03	INITIAL RELEASE	FA
02	03-20-07	UPDATED FORMAT	EL

12X 30° EACH SIDE



SCALE 2.000



ELASTOMER AND COLOR CODE SPECIFICATIONS

PART NO.	ELASTOMER	COLOR CODE	COLOR CODE METHOD
1900-160	I	NONE	N/A

- NOTES:
- MATERIAL:
ELASTOMER #1: NATURAL RUBBER IN ACCORDANCE WITH ASTM D2000.
3 AA X14 A13 B13 C12 F17 K11 Z, WHERE X-REFERENCE DUROMETER TYPE "A", SEE P/N
AND Z-SUFFIX REQUIREMENTS APPLICABLE TO ONLY AVAILABLE DUROMETERS OF THIS GRADE.
 - DIMENSIONING AND TOLERANCING PER ASME Y14.5M-1994 STANDARD.



DESIGNED BY: FA	MANUFACTURING DRAWING	
DATE: 09-23-03	DO NOT SCALE THIS DRAWING	THIRD ANGLE PROJECTION
REV. 02	NOTICE: THIS DRAWING CONTAINS PROPRIETARY INFORMATION AND MAY NOT BE USED FOR ANY OTHER PURPOSE THAN AS AUTHORIZED BY EBCO.	
TITLES:	MOUNT, BUSHING	
TOLERANCES .XX=±.02 .XXX=±.010 ANG=±1°	DWG NO. 1900	DWG SIZE A UNITS INCH [MM]
SHEET 1 of 1		SCALE 2.000