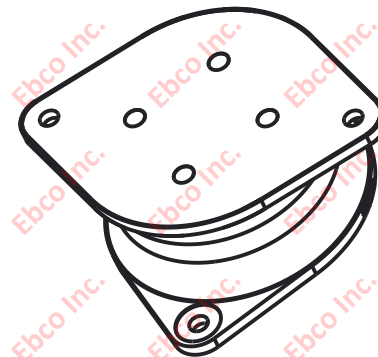
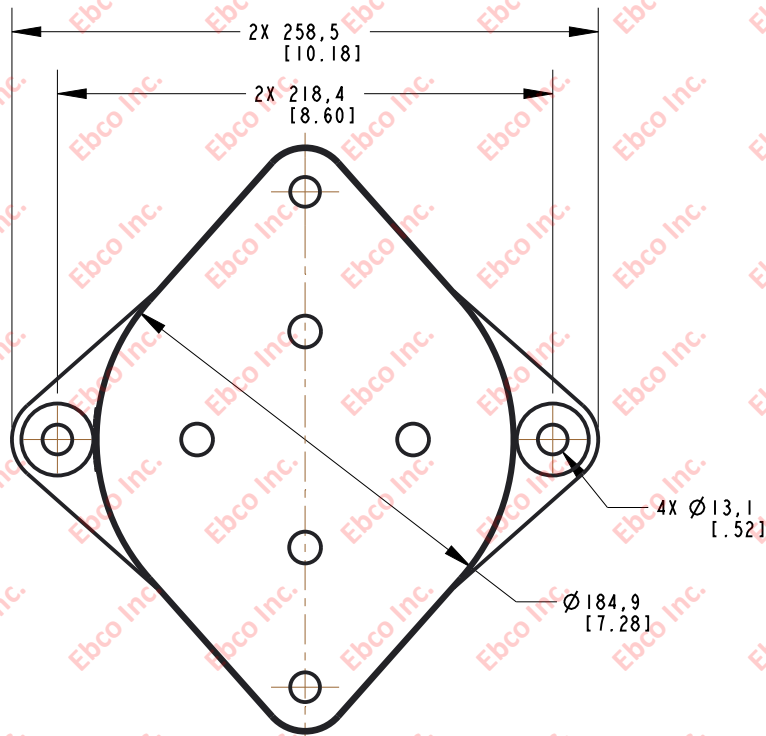


6836

DRG. NO.



SPECIFICATIONS

PART NUMBER	MAX. RECOMMENDED LOAD	RADIAL STIFFNESS
	LBS	LBS/IN
6836-73	750	1300
6836-74	950	1600
6836-75	1100	1900



TITLE:	6836
THE INFORMATION CONTAINED IN THIS DRAWING IS THE SOLE PROPERTY OF EBCO ANY REPRODUCTION IN PART OR AS A WHOLE WITHOUT THE WRITTEN PERMISSION OF EBCO IS PROHIBITED.	
TOLERANCES PER RMA STANDARD	REV. B
A3	DATE: 06-11-21
	UNITS: mm [INCH]

1330 HOLMES RD. ELGIN, IL 60123

SPECIFICATIONS SUBJECT TO CHANGE