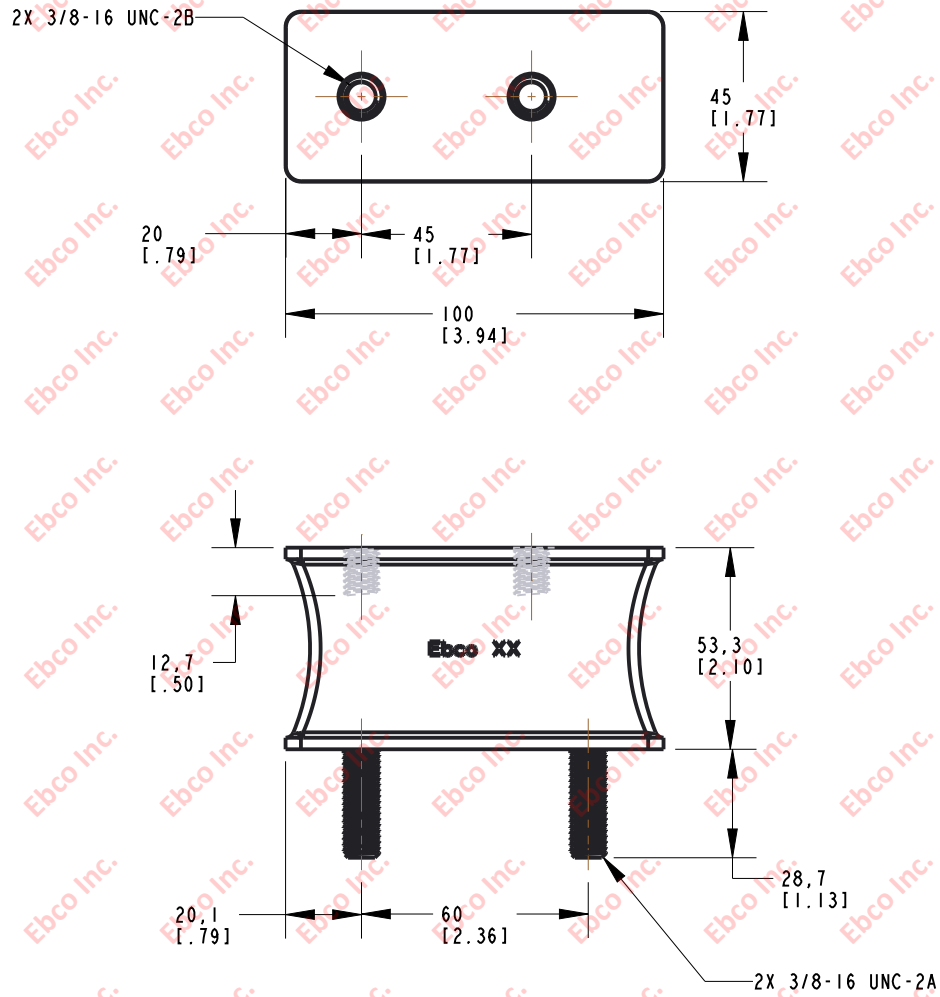


6751

DWG. NO.



AXIAL SPECIFICATIONS

PART NUMBER		MAX. AXIAL DEFLECTION		MAX. AXIAL LOAD	
NATURAL RUBBER	NEOPRENE	in	mm	lb	N
6751-78	6751-88	0.2	5.08	1250	5560
6751-79	6751-89			1600	7117

	TITLE:	6751		
	<small>THE INFORMATION CONTAINED IN THIS DRAWING IS THE SOLE PROPERTY OF EBSCO ANY REPRODUCTION IN PART OR AS A WHOLE WITHOUT THE WRITTEN PERMISSION OF EBSCO IS PROHIBITED.</small>			
	TOLERANCES PER RMA STANDARD	REV.	DATE	
	A3	D	06-11-21	
		UNITS:	mm [INCH]	
1330 HOLMES RD. ELGIN, IL 60123				
SPECIFICATIONS SUBJECT TO CHANGE				