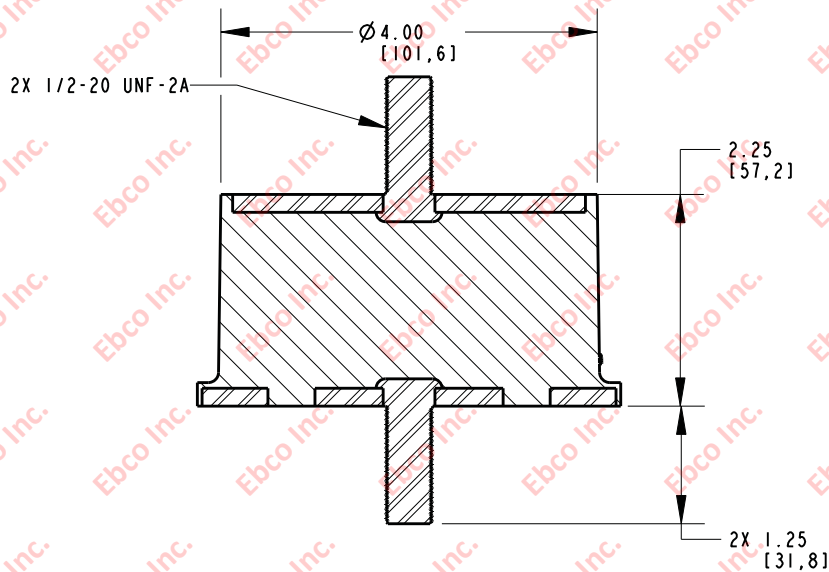
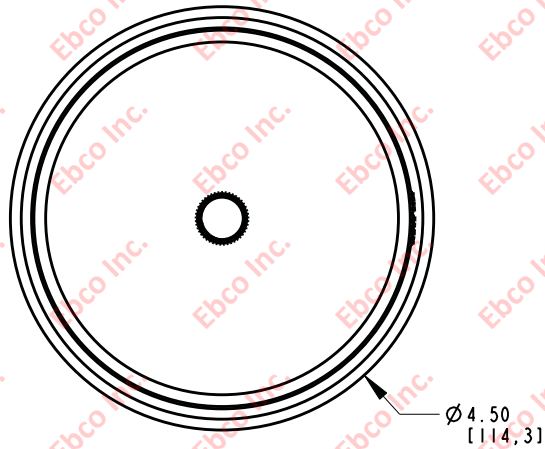
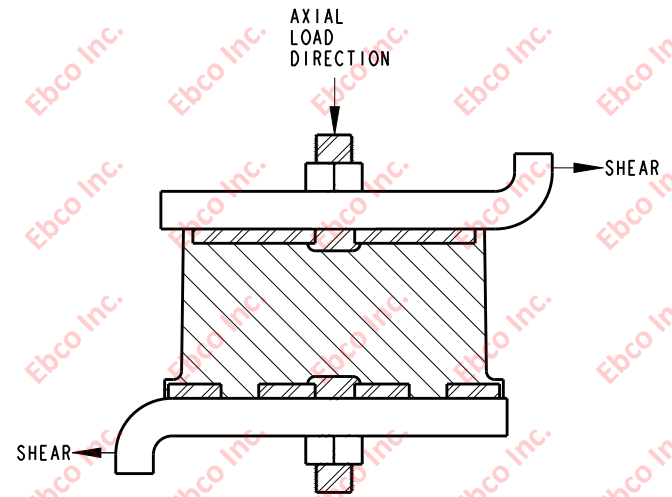


6705

DMR NO.



INSTALLATION VIEW (Shown under no load)



SPECIFICATIONS

PART NUMBER		MAX. AXIAL DEFLECTION		MAX. AXIAL LOAD		MAX. SHEAR DEFLECTION		MAX. SHEAR LOAD	
NATURAL RUBBER	NEOPRENE	in	mm	lb	N	in	mm	lb	N
6705-74	6705-84	0.39	9.91	1800	8007	0.5	12.7	400	1779
6705-75	6705-85			2400	10676			550	2447
6705-76	6705-86			3000	13345			700	3114



TITLE: 6705	
THE INFORMATION CONTAINED IN THIS DRAWING IS THE SOLE PROPERTY OF EBCO. ANY REPRODUCTION IN PART OR AS A WHOLE WITHOUT THE WRITTEN PERMISSION OF EBCO IS PROHIBITED.	
TOLERANCES PER RMA STANDARD A3	REV. A
DATE: 10-10-11	UNITS: INCH [MM]
1330 HOLMES RD. ELGIN, IL 60123	