

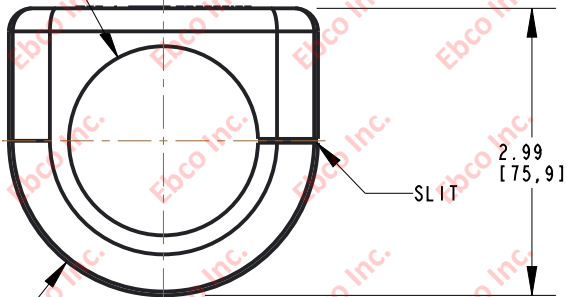
5530

IMP. NO.

B

A

Ø1.97
[50]

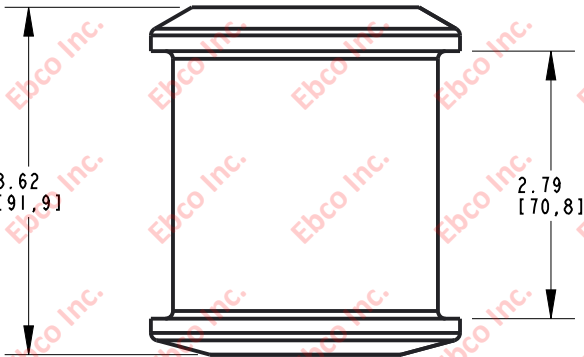


R1.61
[40.9]

2.99
[75.9]

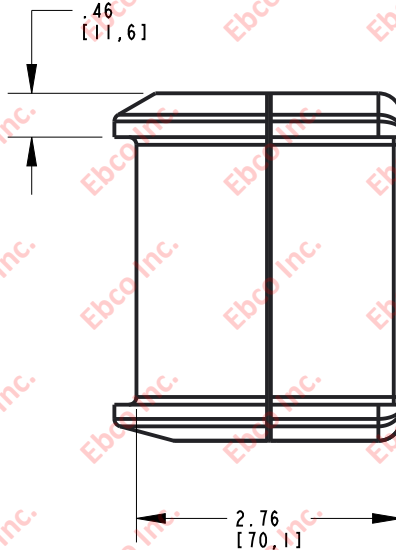
SLIT

3.62
[91.9]

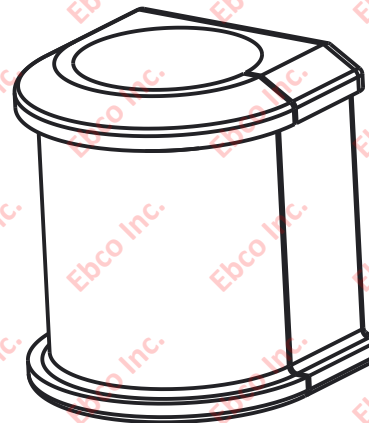


2.79
[70.8]

.46
[11.6]




2.76
[70.1]



B

A

*AVAILABLE IN A VARIETY OF MATERIALS AND STIFFNESS

	TITLE: 5530	
	<small>THE INFORMATION CONTAINED IN THIS DRAWING IS THE SOLE PROPERTY OF EBCO. ANY REPRODUCTION IN PART OR AS A WHOLE WITHOUT THE WRITTEN PERMISSION OF EBCO IS PROHIBITED.</small>	
	TOLERANCES PER RMA STANDARD A3	REV. A
	DATE: 05-19-20	UNITS: INCH [MM]
1330 HOLMES RD. ELGIN, IL 60123		
SPECIFICATIONS SUBJECT TO CHANGE		