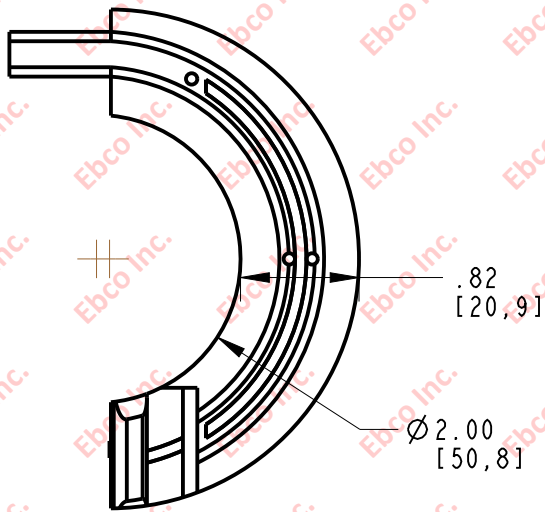
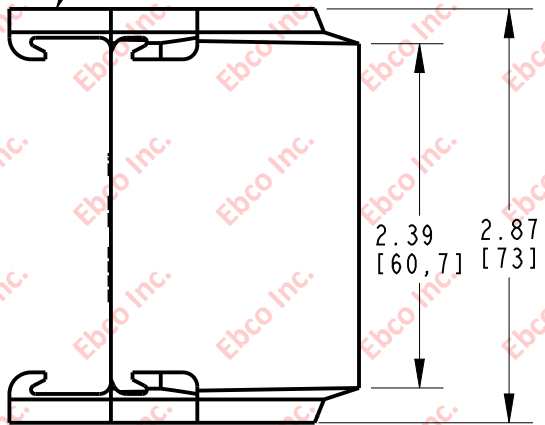


5350

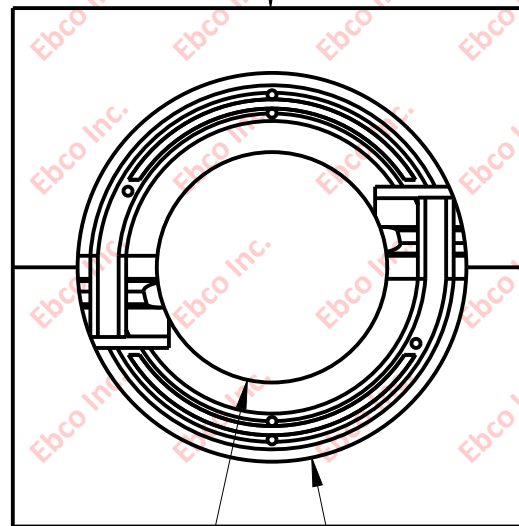
DRG. NO.



ASSEMBLY SNAP FIT



RADIAL
LOAD
DIRECTION



$\phi 2.00$ SWAY BAR
[50,8]

$\phi 3.375$ HOUSING I.D.
[85,73]

REQUIRES 2 PIECES FOR ASSEMBLY

*AVAILABLE IN A VARIETY OF MATERIALS AND STIFFNESS



TITLE: 5350	
THE INFORMATION CONTAINED IN THIS DRAWING IS THE SOLE PROPERTY OF EBCO. ANY REPRODUCTION IN PART OR AS A WHOLE WITHOUT THE WRITTEN PERMISSION OF EBCO IS PROHIBITED.	
TOLERANCES PER RMA STANDARD A3	REV. A
DATE: 04-15-20	UNITS: INCH [MM]
1330 HOLMES RD. ELGIN, IL 60123	

SPECIFICATIONS SUBJECT TO CHANGE