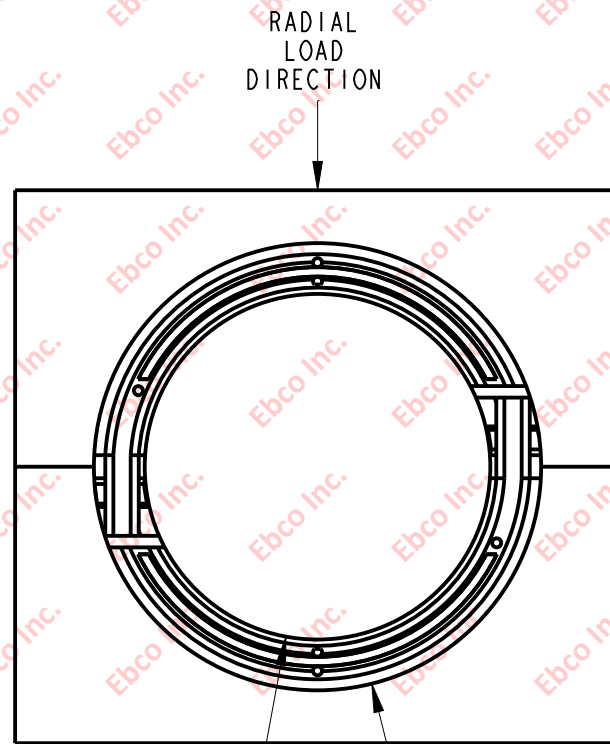
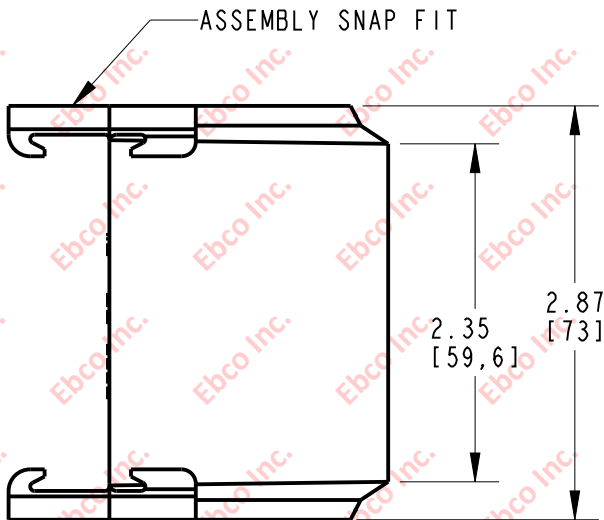
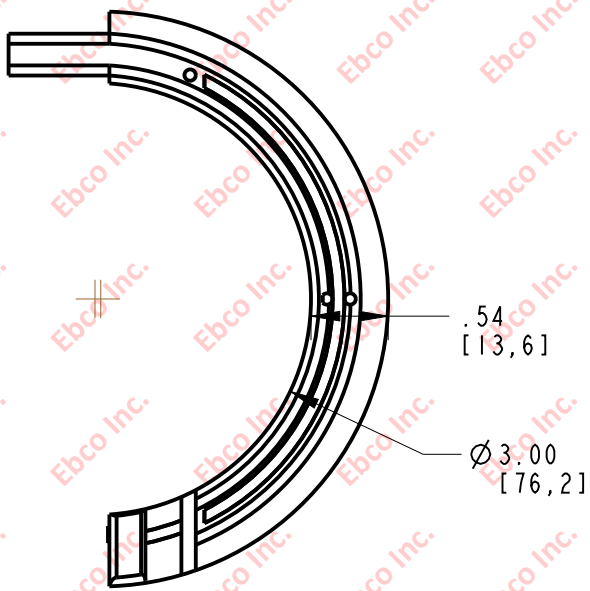



5340



Ø 3.00 SWAY BAR [76,2] Ø 3.88 HOUSING I.D. [98,6]

REQUIRES 2 PIECES FOR ASSEMBLY

*AVAILABLE IN A VARIETY OF MATERIALS AND STIFFNESS

	TITLE: 5340	
	<small>THE INFORMATION CONTAINED IN THIS DRAWING IS THE SOLE PROPERTY OF EBCO. ANY REPRODUCTION IN PART OR AS A WHOLE WITHOUT THE WRITTEN PERMISSION OF EBCO IS PROHIBITED.</small>	
	TOLERANCES PER RMA STANDARD A3	REV. A
	DATE: 04-13-20	UNITS: INCH [MM]
1330 HOLMES RD. ELGIN, IL 60123		
SPECIFICATIONS SUBJECT TO CHANGE		