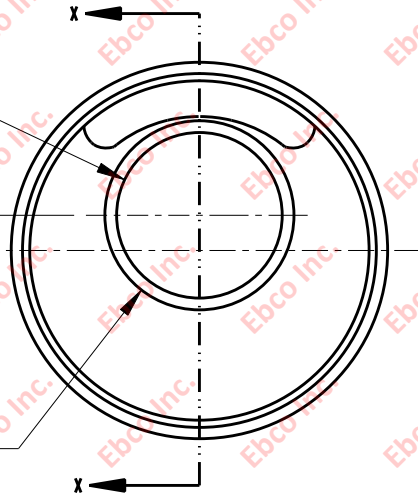


5260

Ø 1.760 ± .005
[44,7 ± 0,12]

.37
[9,5]

Ø 2.01
[51,1]



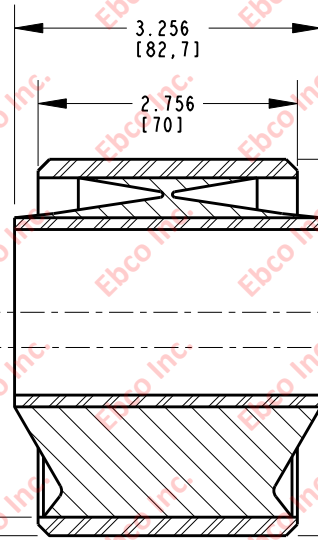
SECTION X-X

3.256
[82,7]

2.756
[70]

Ø 4.001 ^{+0.000}_{-.005}
[101,63 ^{+0,00}_{-0,12}]

.20
[5]



INSTALLATION VIEW (Shown under no load)

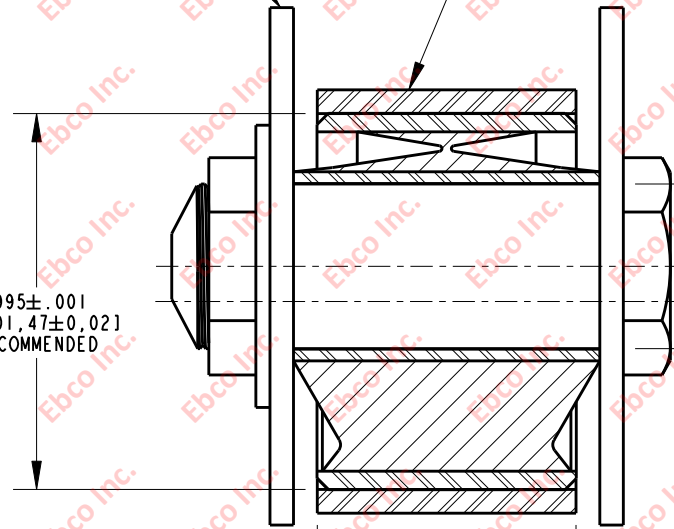
SUPPORTING MEMBER

SUPPORTED MEMBER

Ø 3.995 ± .001
[101,47 ± 0,02]
RECOMMENDED

Ø 1.75
[44,5]
RECOMMENDED PIN DIAMETER

2.750
[69,85]
RECOMMENDED



*AVAILABLE IN A VARIETY OF MATERIALS AND STIFFNESS



TITLE: BUSHING, ECCENTRIC

THE INFORMATION CONTAINED IN THIS DRAWING IS THE SOLE PROPERTY OF EBCO. ANY REPRODUCTION IN PART OR AS A WHOLE WITHOUT THE WRITTEN PERMISSION OF EBCO IS PROHIBITED.

TOLENCES PER RMA STANDARD A3

REV. A

DATE: 08-01-12
UNITS: INCH [MM]

1330 HOLMES RD. ELGIN, IL 60123