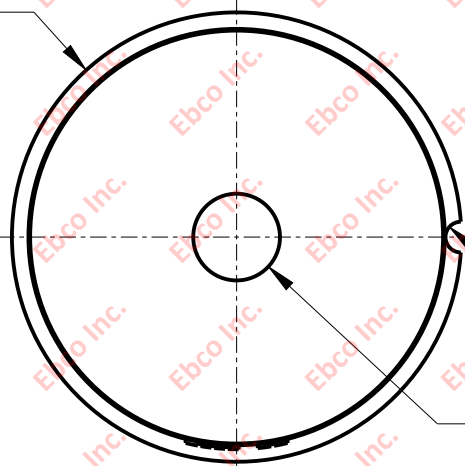


4969

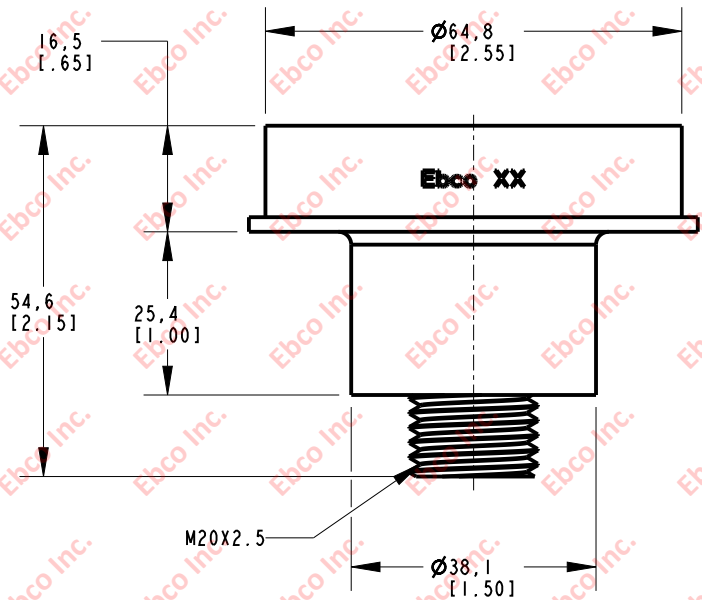
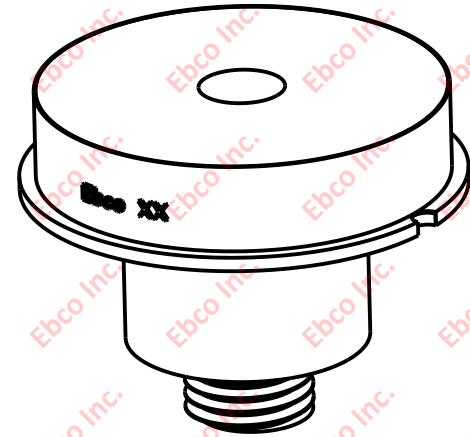
DWG. NO.

Ø69.9
[2.751]



R2.39
[.094]
DOWEL SLOT

Ø13.5 THRU
[.531]



M20X2.5

Ø38.1
[1.501]

Ebcu XX

SPECIFICATIONS

| PART NUMBER | | AXIAL STIFFNESS | |
|----------------|----------|-----------------|------|
| NATURAL RUBBER | NEOPRENE | LB/IN | N/MM |
| 4969-70 | 4969-80 | 17826 | 3122 |

- NOTES:
1. MATERIAL: METAL: COLD ROLLED STEEL
 2. METAL & ELASTOMER COLOR: BLACK
 3. LOAD RATING: 4100±410 LBS @ 0.23" DEFLECTION



TITLE: 4969

THE INFORMATION CONTAINED IN THIS DRAWING IS THE SOLE PROPERTY OF EBCU. ANY REPRODUCTION IN PART OR AS A WHOLE WITHOUT THE WRITTEN PERMISSION OF EBCU IS PROHIBITED.

| | | |
|--------------------------------|--------|------------------|
| TOLERANCES PER RMA STANDARD A3 | REV. C | DATE: |
| | | UNITS: mm [INCH] |

1330 HOLMES RD. ELGIN, IL 60123

SPECIFICATIONS SUBJECT TO CHANGE