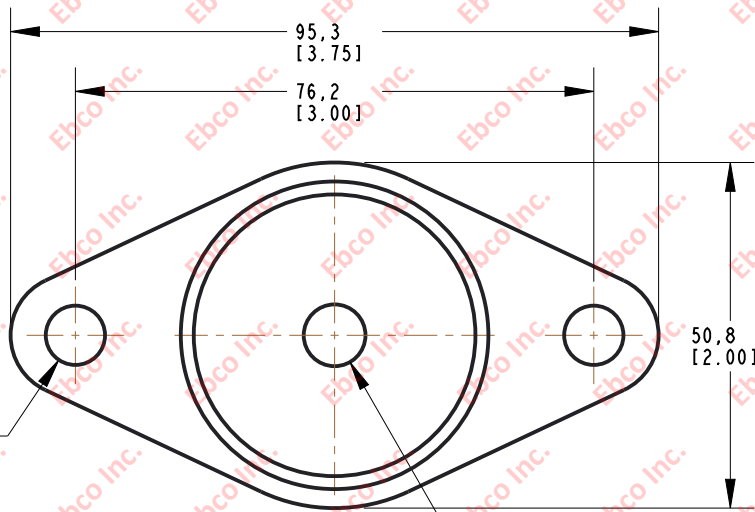
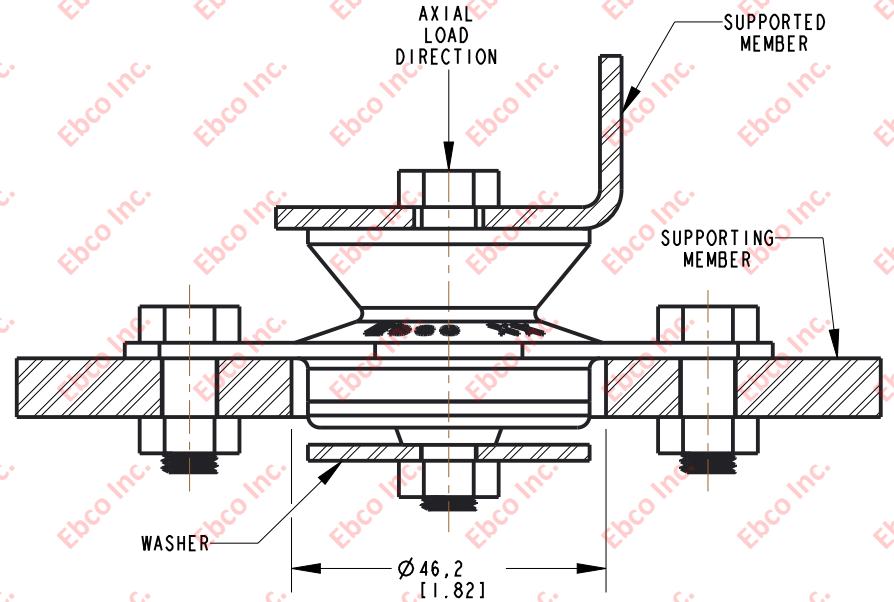


4910

DWG. NO.



INSTALLATION VIEW (Shown under no load)



2X Ø8.71
[1.343]

Ø9.08
[1.3571]

19.1
[.751]

Ø41.4
[1.631]

31.8
[1.251]

2.3
[.091]

Ø41.4
[1.631]

INSTALLATION DIMENSIONS

SPECIFICATIONS

PART NUMBER		MAX. AXIAL DEFLECTION		MAX. AXIAL LOAD	
NATURAL RUBBER	NEOPRENE	in	mm	lb	N
4910-71	4910-81	.15	3.81	30	133
4910-73	4910-83			38	169
4910-74	4910-84			50	222
4910-75	4910-85			60	267
4910-76	4910-86			75	334

RECOMMENDED BOLT INFORMATION				TIGHTENING TORQUE			
ENGLISH		METRIC		CLAMP LOAD		TIGHTENING TORQUE	
SIZE	GRADE	SIZE	CLASS	lb	N	ft-lb	N-m
5/16	5	M8	9.8	3341	17800	17.4	28.5

WASHER SPECIFICATIONS

O. D.		I. D.		THICKNESS	
in	mm	in	mm	in	mm
1.63	41.40	.33	8.38	.093	2.36



TITLE:	4910
THE INFORMATION CONTAINED IN THIS DRAWING IS THE SOLE PROPERTY OF EBCU. ANY REPRODUCTION IN PART OR AS A WHOLE WITHOUT THE WRITTEN PERMISSION OF EBCU IS PROHIBITED.	
TOLERANCES PER RMA STANDARD A3	REV. F
DATE: 06-07-21	UNITS: mm [INCH]

1330 HOLMES RD. ELGIN, IL 60123

SPECIFICATIONS SUBJECT TO CHANGE