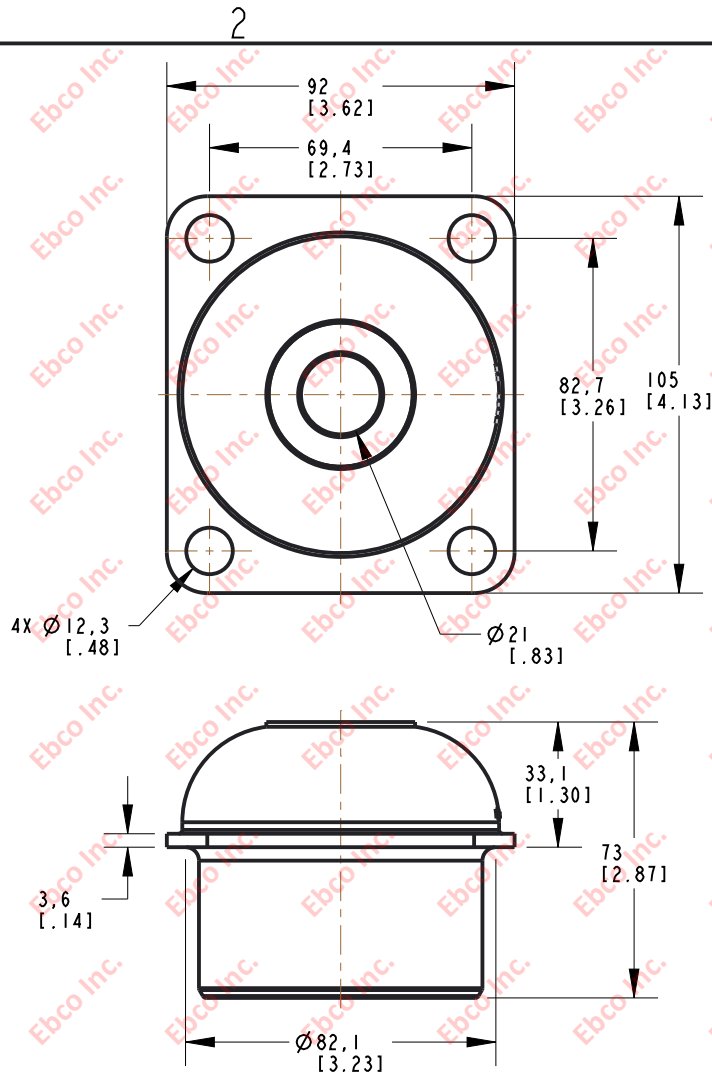
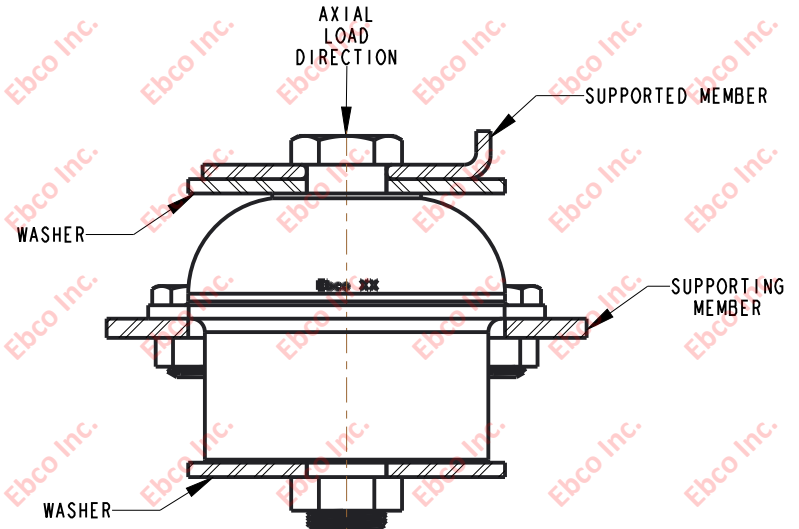


4823

DWG. NO.



INSTALLATION VIEW (Shown under no load)



INSTALLATION DIMENSIONS

| RECOMMENDED BOLT INFORMATION | | | | TIGHTENING TORQUE | | | |
|------------------------------|-------|--------|-------|-------------------|-------|-------------------|-----|
| ENGLISH | | METRIC | | CLAMP LOAD | | TIGHTENING TORQUE | |
| SIZE | GRADE | SIZE | CLASS | lb | N | ft-lb | N-m |
| 3/4 | 5 | M18 | 9,8 | 21300 | 94747 | 266 | 361 |

SPECIFICATIONS

| PART NUMBER | | MAX. AXIAL DEFLECTION | | MAX. AXIAL LOAD | | TANGENTIAL STIFFNESS | |
|----------------|----------|-----------------------|------|-----------------|------|----------------------|------|
| NATURAL RUBBER | NEOPRENE | in | mm | lb | N | LB/IN | N/mm |
| 4823-70 | 4823-80 | .20 | 5,08 | 260 | 1157 | 1080 | 189 |
| 4823-71 | 4823-81 | | | 315 | 1401 | 1300 | 228 |
| 4823-73 | 4823-83 | | | 450 | 2002 | 1875 | 328 |
| 4823-74 | 4823-84 | | | 540 | 2402 | 2250 | 394 |

WASHER SPECIFICATIONS

| O.D. | | I.D. | | THICKNESS | |
|------|-------|------|-------|-----------|------|
| in | mm | in | mm | in | mm |
| 3.00 | 76,20 | .83 | 21,08 | .15 | 3,81 |

* LOAD/DEFLECTION AS ASSEMBLED, SEE INSTALLATION VIEW



| | |
|---|------------------|
| TITLE: | 4823 |
| THE INFORMATION CONTAINED IN THIS DRAWING IS THE SOLE PROPERTY OF EBCO ANY REPRODUCTION IN PART OR AS A WHOLE WITHOUT THE WRITTEN PERMISSION OF EBCO IS PROHIBITED. | |
| TOLERANCES PER RMA STANDARD | REV. F |
| A3 | DATE: 06-07-21 |
| | UNITS: mm [INCH] |
| 1330 HOLMES RD. ELGIN, IL 60123 | |

SPECIFICATIONS SUBJECT TO CHANGE