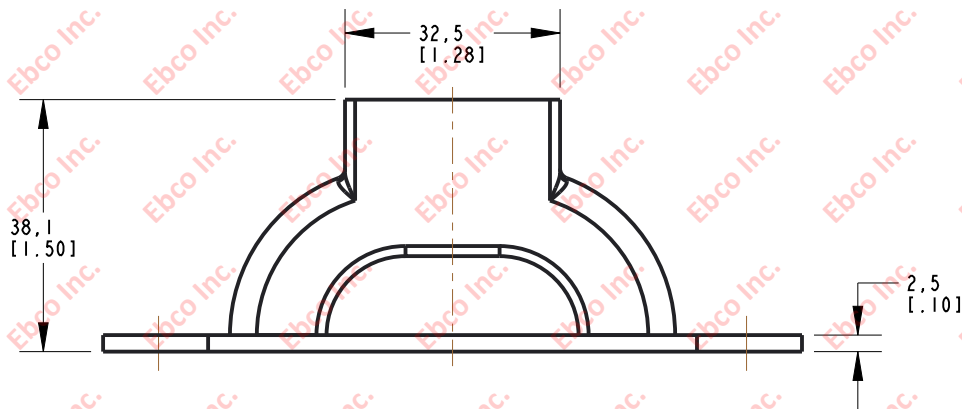
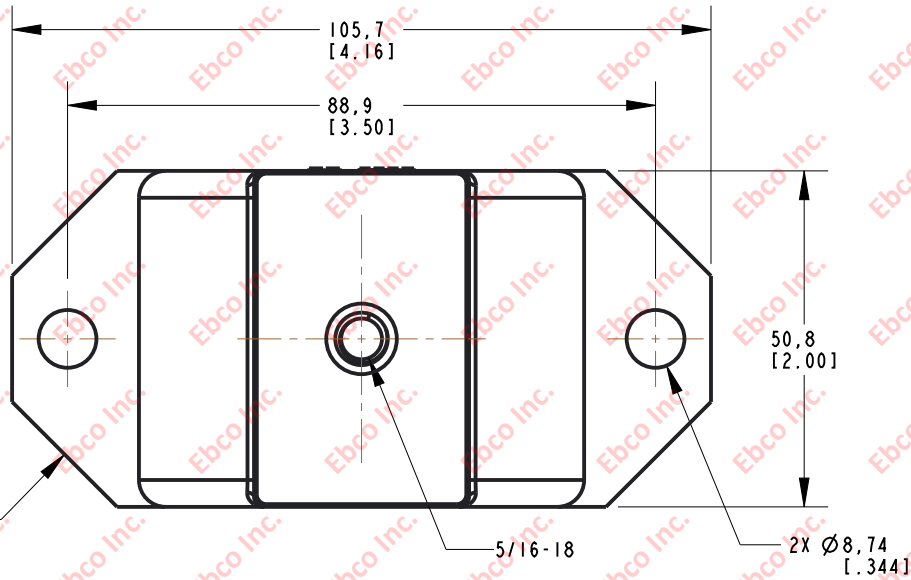
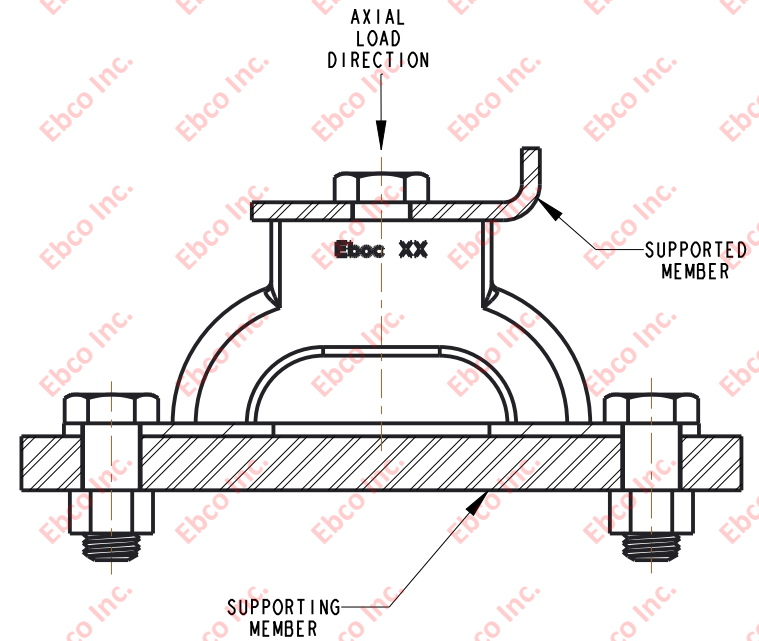


4652

DWG. NO.




INSTALLATION VIEW (Shown under no load)



SPECIFICATIONS

PART NUMBER		MAX. AXIAL DEFLECTION		MAX. AXIAL LOAD	
NATURAL RUBBER	NEOPRENE	i n	mm	l b	N
4652-70	4652-80	0.20	5.08	45	200
4652-72	4652-82			60	267
4652-73	4652-83			70	311
4652-74	4652-84			85	378



TITLE: 4652

THE INFORMATION CONTAINED IN THIS DRAWING IS THE SOLE PROPERTY OF EBCOC ANY REPRODUCTION IN PART OR AS A WHOLE WITHOUT THE WRITTEN PERMISSION OF EBCOC IS PROHIBITED.

TOLERANCES PER RMA STANDARD A3

REV. C

DATE: 06-07-21

UNITS: mm [INCH]

1330 HOLMES RD. ELGIN, IL 60123

SPECIFICATIONS SUBJECT TO CHANGE