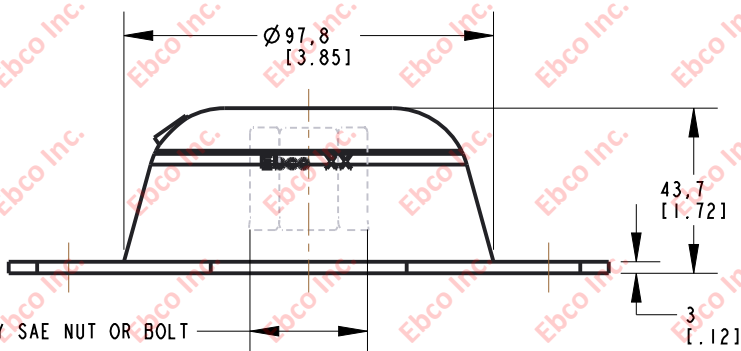
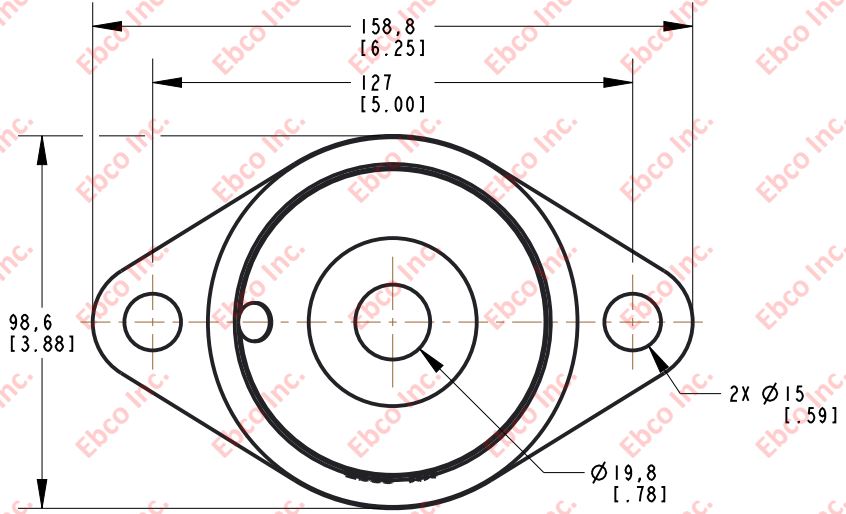
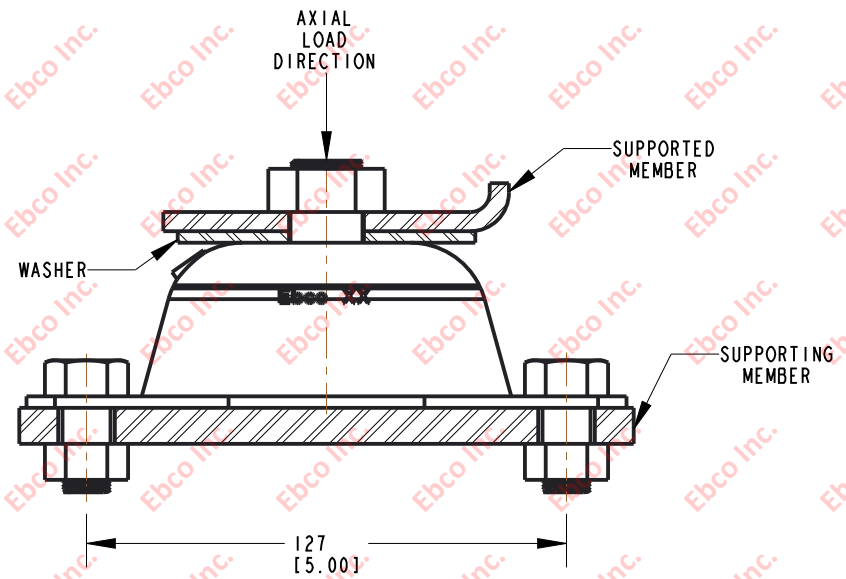


4621

DWG. NO.



INSTALLATION VIEW (Shown under no load)



SPECIFICATIONS

PART NUMBER		MAX. AXIAL DEFLECTION		MAX. AXIAL LOAD	
NATURAL RUBBER	NEOPRENE	in	mm	lb	N
4621-70	4621-80	0.125	3.175	650	2891
4621-71	4621-81			750	3337
4621-73	4621-83			1300	5783
4621-75	4621-85			1900	8455
4621-76	4621-86			2250	10012
4621-77	4621-87			2500	11121



TITLE:	4621
THE INFORMATION CONTAINED IN THIS DRAWING IS THE SOLE PROPERTY OF EBSCO ANY REPRODUCTION IN PART OR AS A WHOLE WITHOUT THE WRITTEN PERMISSION OF EBSCO IS PROHIBITED.	
TOLERANCES PER RMA STANDARD	A3
REV.	E
DATE:	06-07-21
UNITS:	mm [INCH]
1330 HOLMES RD. ELGIN, IL 60123	

SPECIFICATIONS SUBJECT TO CHANGE