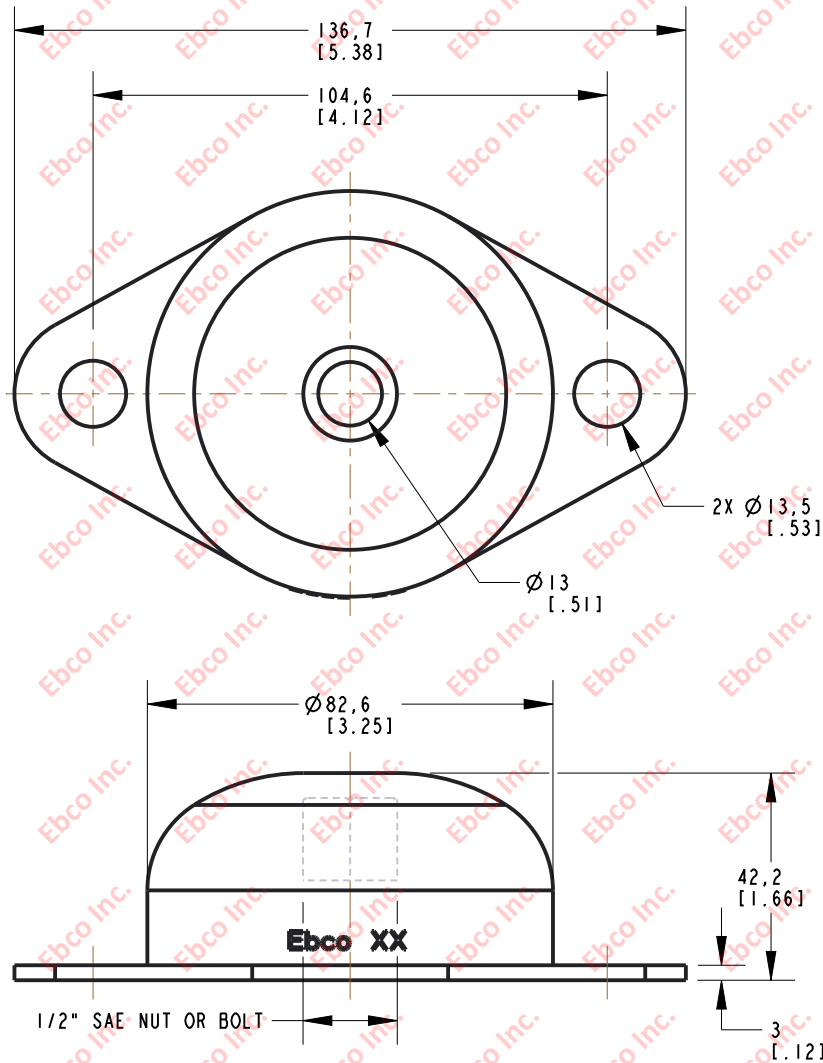
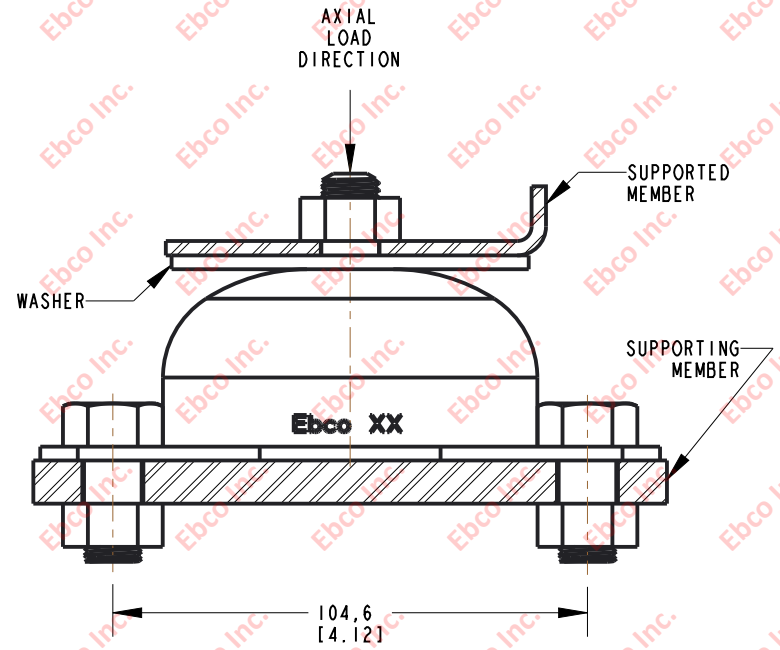


4610

DWG. NO.



INSTALLATION VIEW (Shown under no load)



SPECIFICATIONS

PART NUMBER		MAX. AXIAL DEFLECTION		MAX. AXIAL LOAD	
NATURAL RUBBER	NEOPRENE	i n	mm	lb	N
4610-700	4610-800	0.125	3.18	280	1246
4610-71	4610-81			425	1891
4610-72	4610-82			500	2225
4610-73	4610-83			625	2780
4610-74	4610-84			775	3449
4610-75	4610-85			950	4227
4610-76	4610-86			1200	5338
4610-77	4610-87			1450	6450



TITLE:	4610
THE INFORMATION CONTAINED IN THIS DRAWING IS THE SOLE PROPERTY OF EBCO ANY REPRODUCTION IN PART OR AS A WHOLE WITHOUT THE WRITTEN PERMISSION OF EBCO IS PROHIBITED.	
TOLERANCES PER RMA STANDARD	REV. G
A3	DATE: 06-07-21
	UNITS: mm [INCH]

1330 HOLMES RD. ELGIN, IL 60123

SPECIFICATIONS SUBJECT TO CHANGE