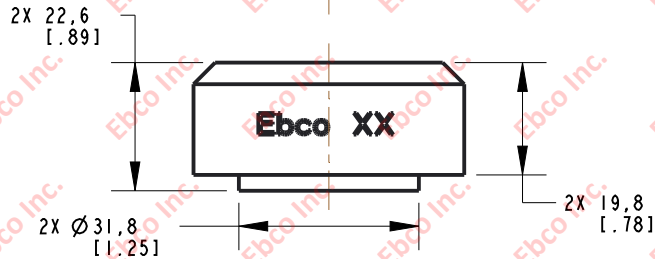
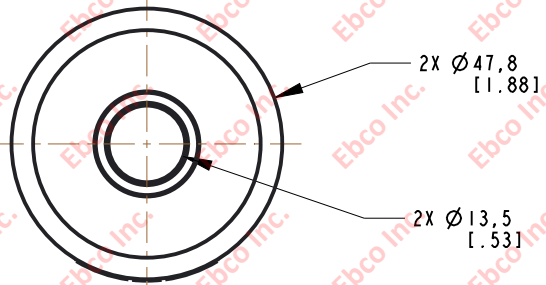
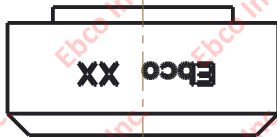


2425

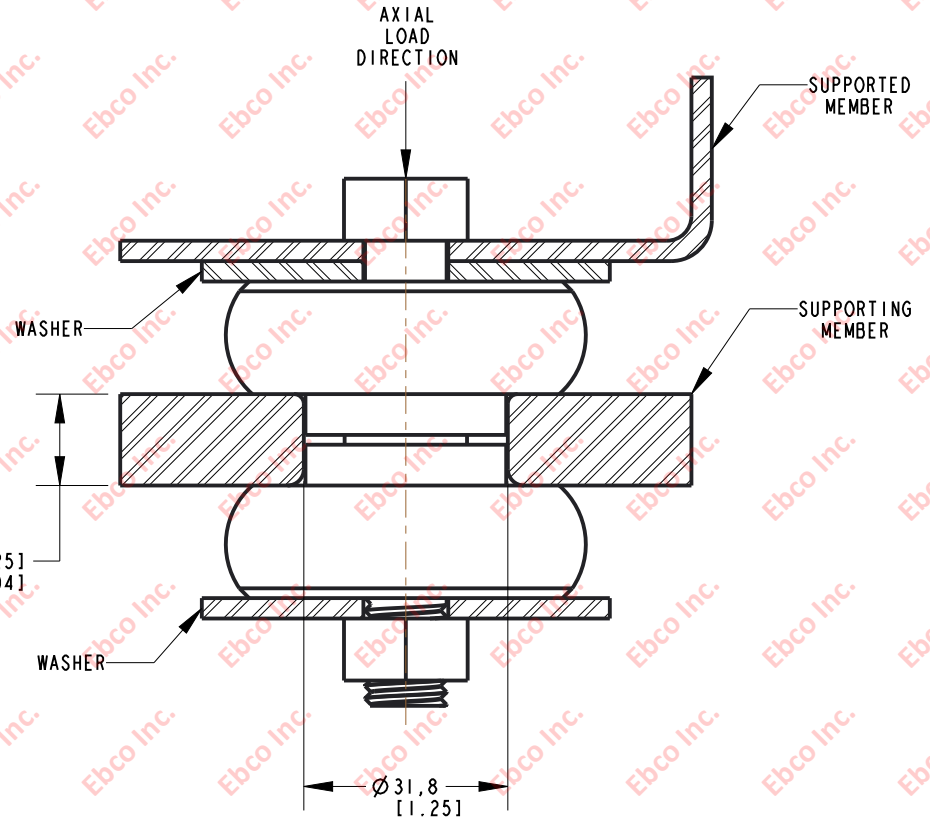
DRG. NO.



2425-XX : 41,28 [1.625]  
2425-XX-B : 45 [1.77]



INSTALLATION VIEW (Shown under no load)



2425-XX : 6,4 [0.25]  
2425-XX-B : 10 [0.394]

INSTALLATION DIMENSIONS

SPECIFICATIONS

PART NUMBER		MAX. AXIAL DEFLECTION		MAX. AXIAL LOAD	
NATURAL RUBBER	NEOPRENE	in	mm	lb	N
2425-70	2425-80	0.10	2.54	200	890
2425-71	2425-81			230	1023
2425-73	2425-83			350	1557
2425-74	2425-84			450	2002
2425-75	2425-85			550	2447

RECOMMENDED BOLT INFORMATION				TIGHTENING TORQUE			
ENGLISH		METRIC		CLAMP LOAD		TIGHTENING TORQUE	
SIZE	GRADE	SIZE	CLASS	lb	N	ft-lb	N-m
1/2	5	M12	9.8	9046	40239	75.4	101.8
WASHER SPECIFICATIONS							
O.D.		I.D.		THICKNESS			
in	mm	in	mm	in	mm		
2.50	63.50	.52	13.21	.125	3.18		



TITLE:	2425
THE INFORMATION CONTAINED IN THIS DRAWING IS THE SOLE PROPERTY OF EBCO ANY REPRODUCTION IN PART OR AS A WHOLE WITHOUT THE WRITTEN PERMISSION OF EBCO IS PROHIBITED.	
TOLERANCES PER RMA STANDARD A3	REV. F
DATE: 06-09-21	UNITS: mm [INCH]
1330 HOLMES RD. ELGIN, IL 60123	

SPECIFICATIONS SUBJECT TO CHANGE