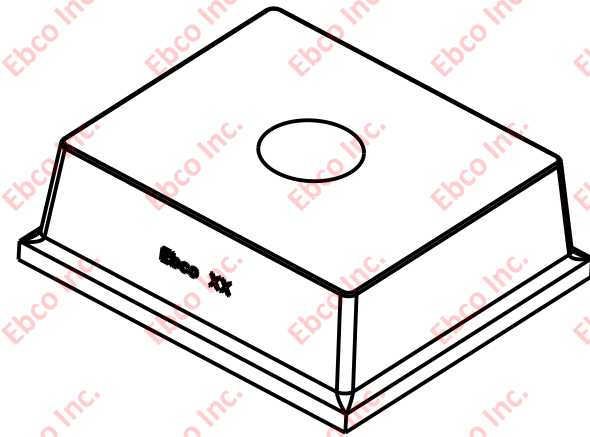
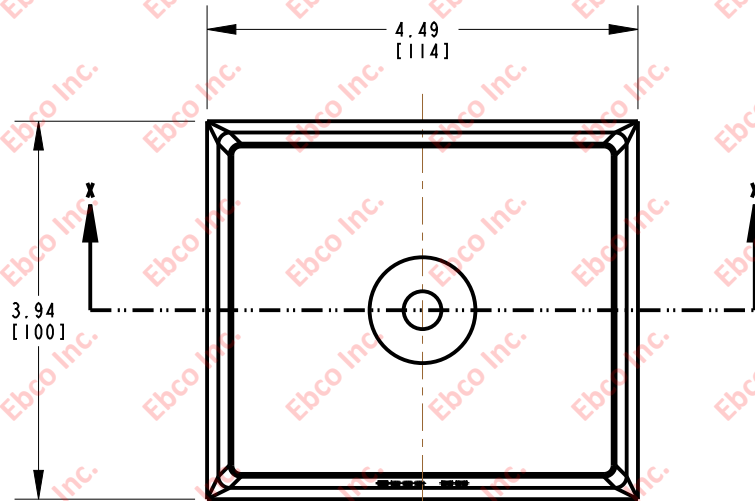
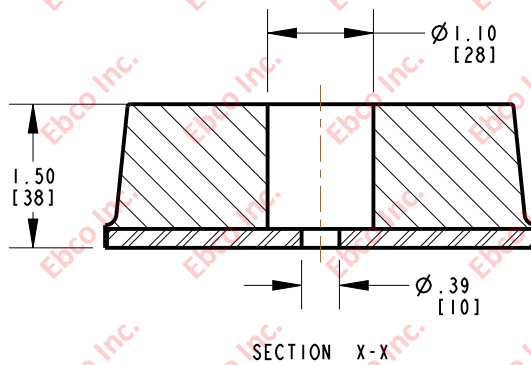


1851



SCALE 0.500



SECTION X-X

PART NO.		DUROMETER (SHORE A) ±5
NATURAL RUBBER	NEOPRENE	
1851-75	1851-85	60



TITLE:	1851
THE INFORMATION CONTAINED IN THIS DRAWING IS THE SOLE PROPERTY OF EBCO ANY REPRODUCTION IN PART OR AS A WHOLE WITHOUT THE WRITTEN PERMISSION OF EBCO IS PROHIBITED.	
TOLERANCES PER RMA STANDARD A3	REV. A
METALS ±.01	DATE: 08-04-15
	UNITS: INCH [MM]
1330 HOLMES RD. ELGIN, IL 60123	

SPECIFICATIONS SUBJECT TO CHANGE