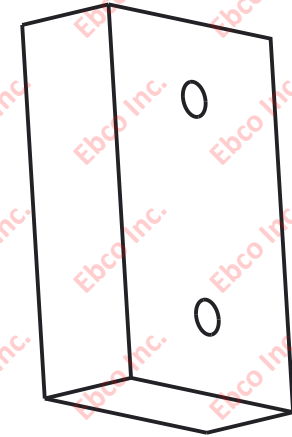
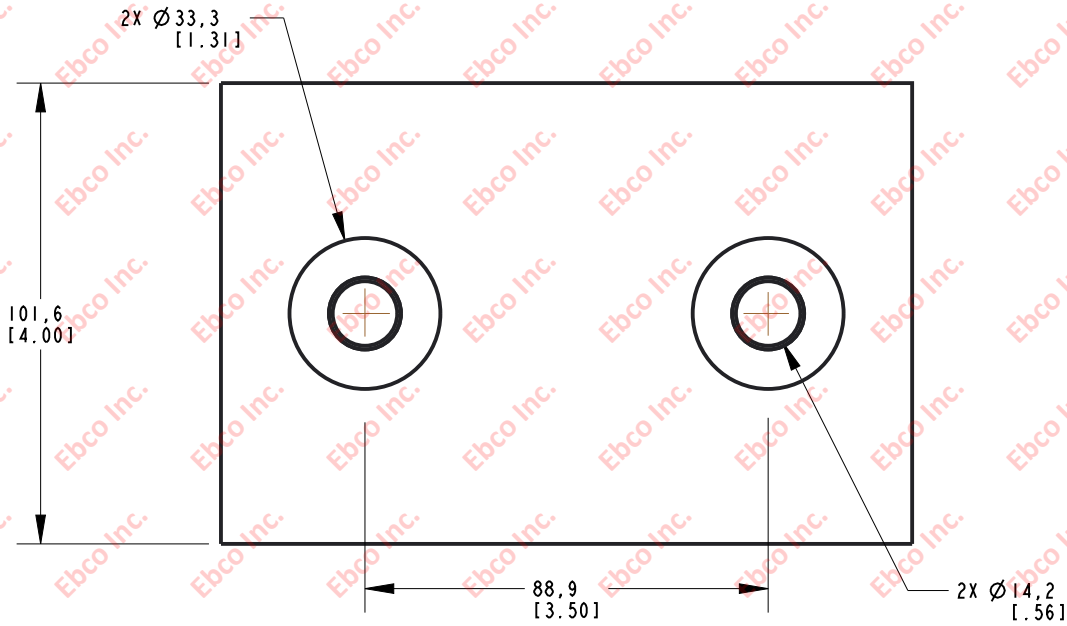
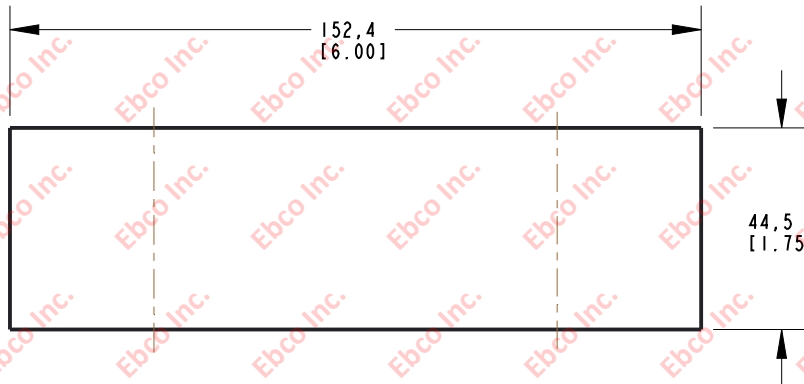



1850

DMG NO.



SCALE 0.333



	TITLE: 1850	
	<small>THE INFORMATION CONTAINED IN THIS DRAWING IS THE SOLE PROPERTY OF EBCO ANY REPRODUCTION IN PART OR AS A WHOLE WITHOUT THE WRITTEN PERMISSION OF EBCO IS PROHIBITED.</small>	
	TOLERANCES PER RMA STANDARD A3	REV. B
	DATE: 06-15-21	UNITS: mm [INCH]
1330 HOLMES RD. ELGIN, IL 60123		SPECIFICATIONS SUBJECT TO CHANGE

*AVAILABLE IN A VARIETY OF MATERIALS AND STIFFNESS

2