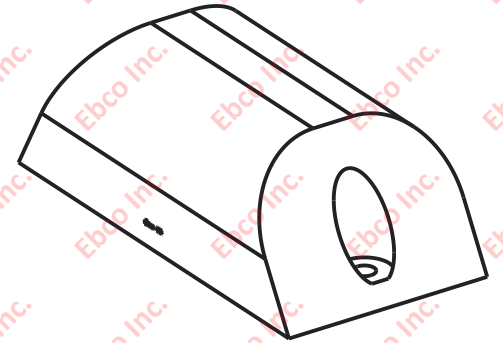
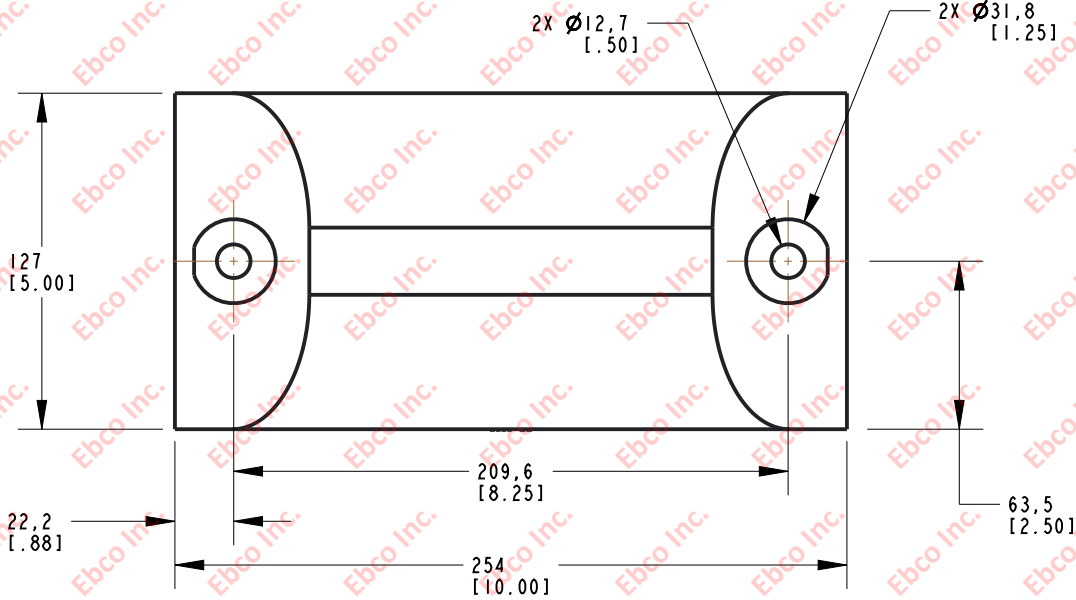



1843

DWG. NO.



• AVAILABLE IN A VARIETY OF MATERIALS AND STIFFNESS

	TITLE: 1843	
	<small>THE INFORMATION CONTAINED IN THIS DRAWING IS THE SOLE PROPERTY OF EBSCO ANY REPRODUCTION IN PART OR AS A WHOLE WITHOUT THE WRITTEN PERMISSION OF EBSCO IS PROHIBITED.</small>	
	TOLERANCES PER RMA STANDARD A3	REV. C
	DATE: 06-15-21	UNITS: mm [INCH]
1330 HOLMES RD. ELGIN, IL 60123		SPECIFICATIONS SUBJECT TO CHANGE