

1840

DWG. NO.

B

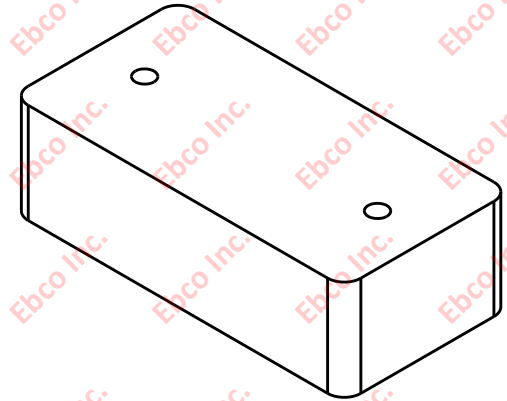
2.50
[63,5]

5.00
[127]

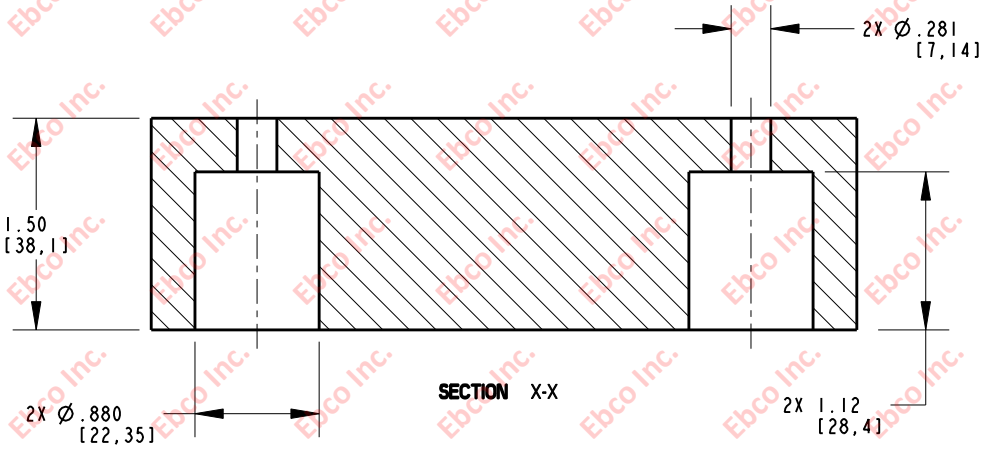
3.50
[88,9]

X

X



SCALE 0.500



*AVAILABLE IN A VARIETY OF MATERIALS AND STIFFNESS



TITLE: 1840	
THE INFORMATION CONTAINED IN THIS DRAWING IS THE SOLE PROPERTY OF EBCO. ANY REPRODUCTION IN PART OR AS A WHOLE WITHOUT THE WRITTEN PERMISSION OF EBCO IS PROHIBITED.	
TOLERANCES PER RMA STANDARD A3	REV. A
DATE: 06-18-12	UNITS: INCH [MM]
1330 HOLMES RD. ELGIN, IL 60123	