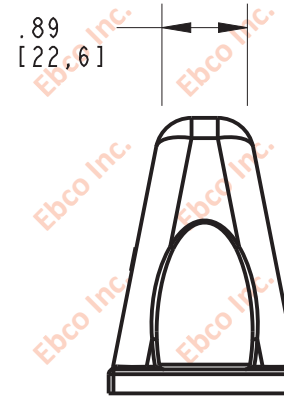
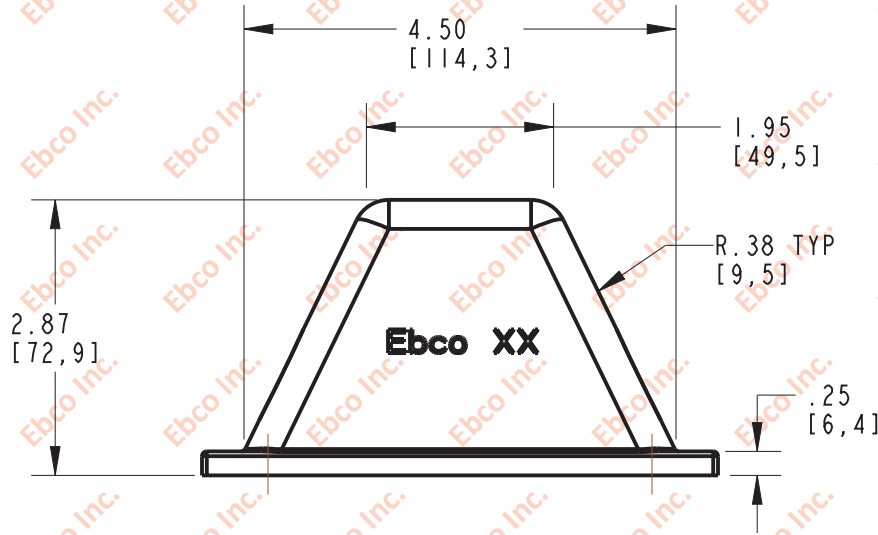
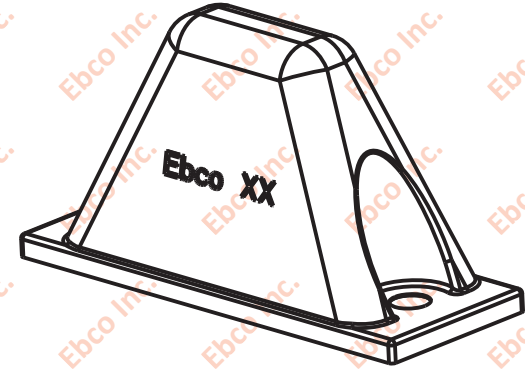
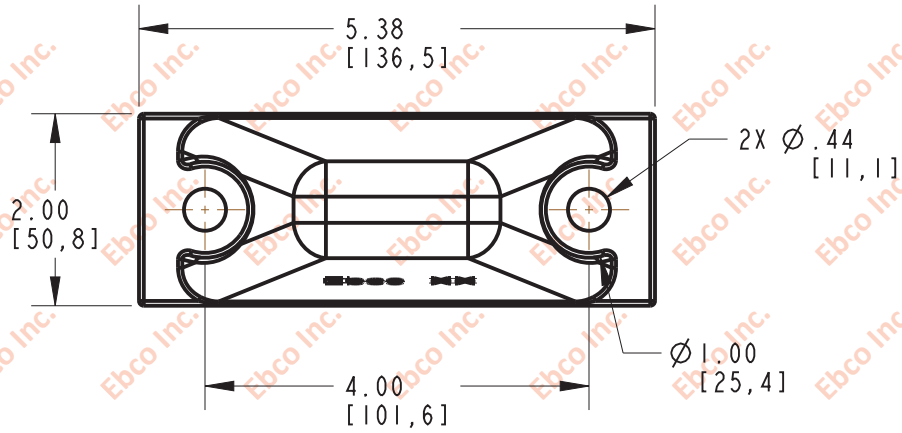



1838



PART NO.	DUROMETER (SHORE A)
NATURAL RUBBER	±5
1838-79	80

	TITLE: 1838
	THE INFORMATION CONTAINED IN THIS DRAWING IS THE SOLE PROPERTY OF EBCO. ANY REPRODUCTION IN PART OR AS A WHOLE WITHOUT THE WRITTEN PERMISSION OF EBCO IS PROHIBITED.
	TOLERANCES PER RMA STANDARD A3
	REV. A
DATE: 01-06-17	
UNITS: INCH [MM]	
1330 HOLMES RD. ELGIN, IL 60123	
SPECIFICATIONS SUBJECT TO CHANGE	