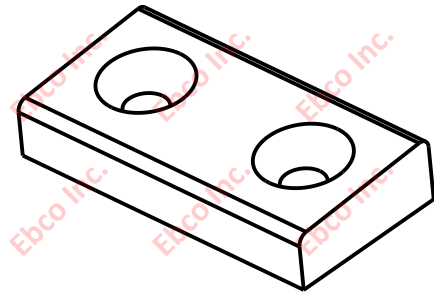
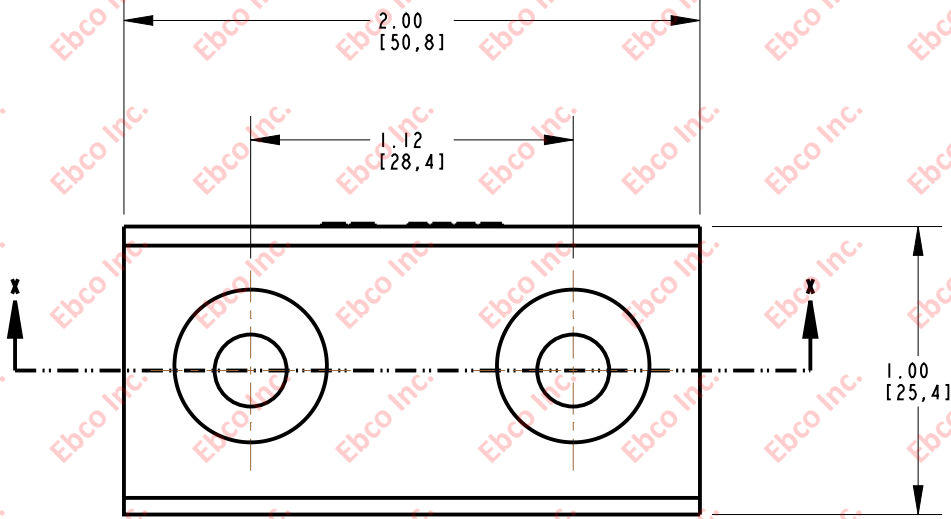
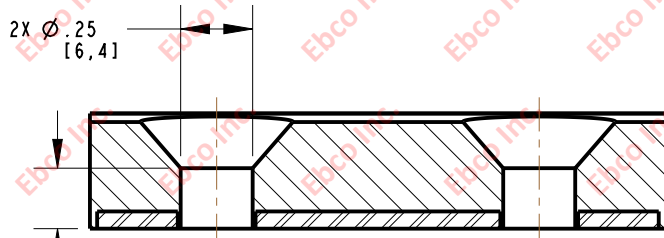


1830

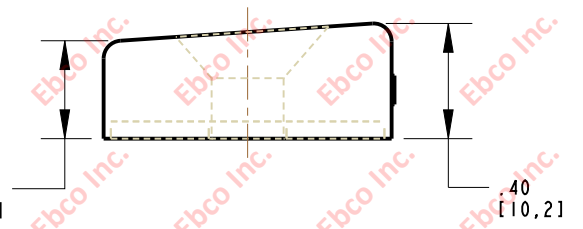
IMP. NO.



SCALE 1.000



SECTION X-X



PART NO.

EPDM

1830-69

DUROMETER (SHORE A)

±5

80

TITLE: 1830

THE INFORMATION CONTAINED IN THIS DRAWING IS THE SOLE PROPERTY OF EBCO. ANY REPRODUCTION IN PART OR AS A WHOLE WITHOUT THE WRITTEN PERMISSION OF EBCO IS PROHIBITED.

TOLERANCES PER RMA STANDARD A3

REV. A

DATE: 12-30-15  
UNITS: INCH [MM]

1330 HOLMES RD. ELGIN, IL 60123



SPECIFICATIONS SUBJECT TO CHANGE