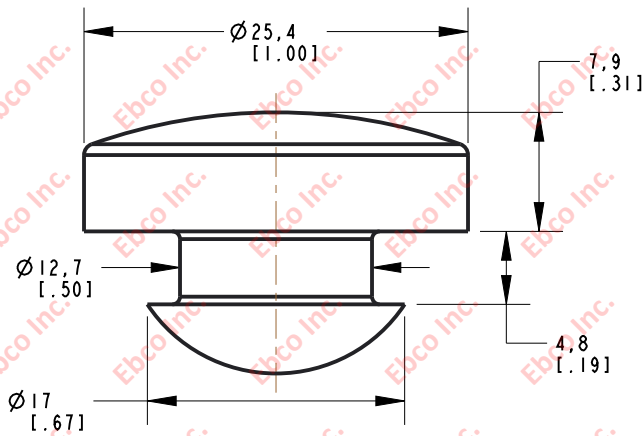
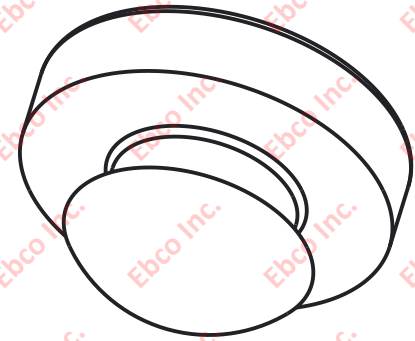
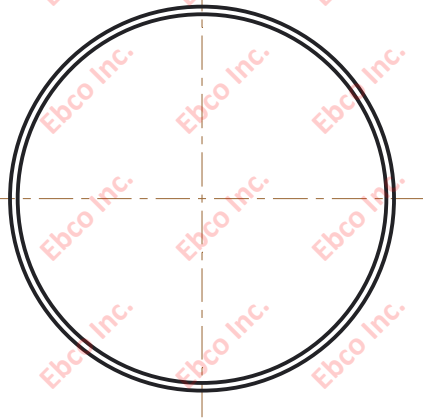


1335

DWG. NO.



*AVAILABLE IN A VARIETY OF MATERIALS AND STIFFNESS

	TITLE: 1335		
	THE INFORMATION CONTAINED IN THIS DRAWING IS THE SOLE PROPERTY OF EBCO. ANY REPRODUCTION IN PART OR AS A WHOLE WITHOUT THE WRITTEN PERMISSION OF EBCO IS PROHIBITED.		
	TOLERANCES PER RMA STANDARD A3	REV. B	DATE: 06-14-21
	UNITS: mm [INCH]		
1330 HOLMES RD. ELGIN, IL 60123			
SPECIFICATIONS SUBJECT TO CHANGE			