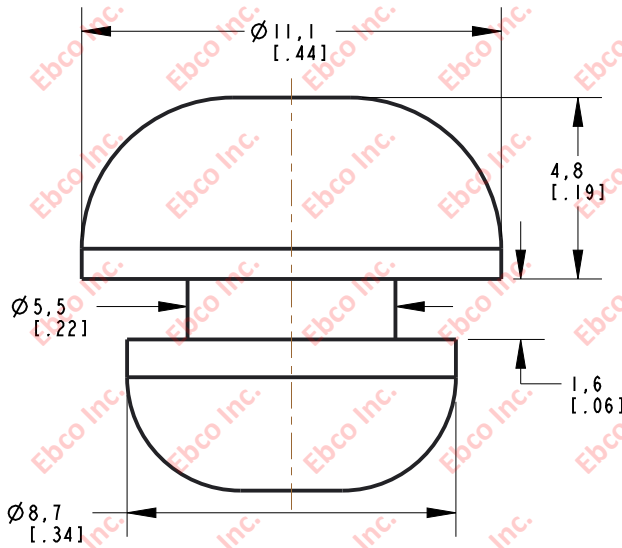
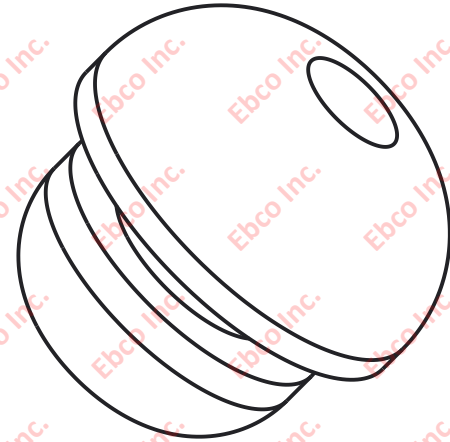
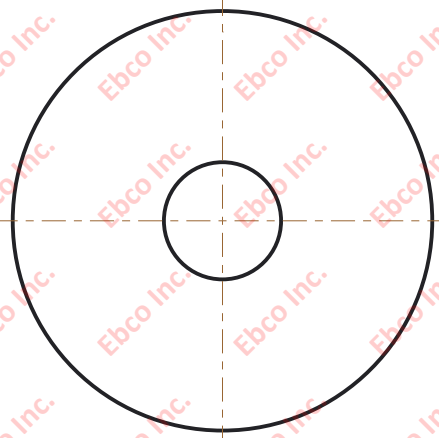


1310

DWG. NO.



*AVAILABLE IN A VARIETY OF MATERIALS AND STIFFNESS

	TITLE: 1310	
	<small>THE INFORMATION CONTAINED IN THIS DRAWING IS THE SOLE PROPERTY OF EBCO ANY REPRODUCTION IN PART OR AS A WHOLE WITHOUT THE WRITTEN PERMISSION OF EBCO IS PROHIBITED.</small>	
	TOLERANCES PER RMA STANDARD A3	REV. B UNITS: mm [INCH]
	DATE: 06-14-21 1330 HOLMES RD. ELGIN, IL 60123	
SPECIFICATIONS SUBJECT TO CHANGE		