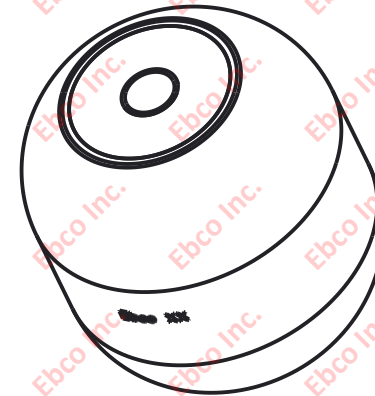
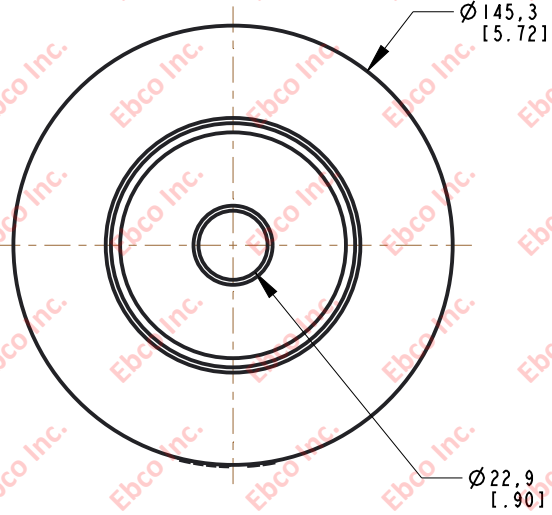
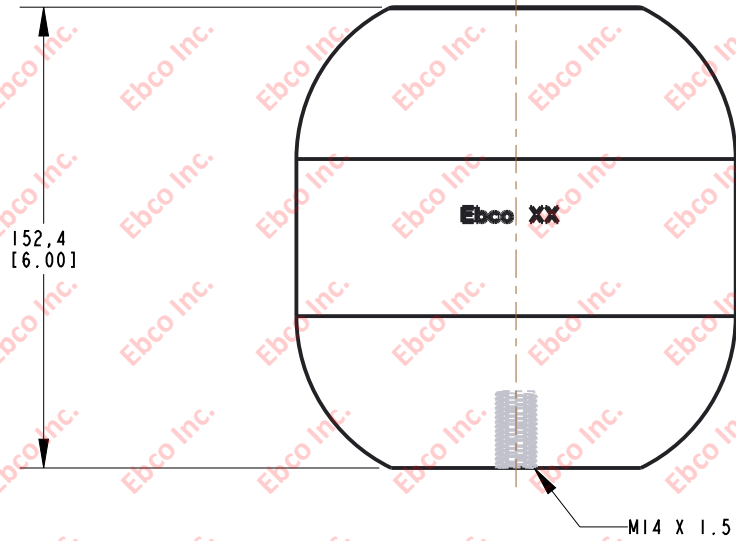


1095

DWG. NO.



SCALE 0.300



*AVAILABLE IN A VARIETY OF MATERIALS AND STIFFNESS



TITLE: BUMPER, AXLE STOP

THE INFORMATION CONTAINED IN THIS DRAWING IS THE SOLE PROPERTY OF EBSCO ANY REPRODUCTION IN PART OR AS A WHOLE WITHOUT THE WRITTEN PERMISSION OF EBSCO IS PROHIBITED.

TOLERANCES PER RMA STANDARD A3

REV. B

DATE: 06-14-21
UNITS: mm [INCH]

1330 HOLMES RD. ELGIN, IL 60123

SPECIFICATIONS SUBJECT TO CHANGE