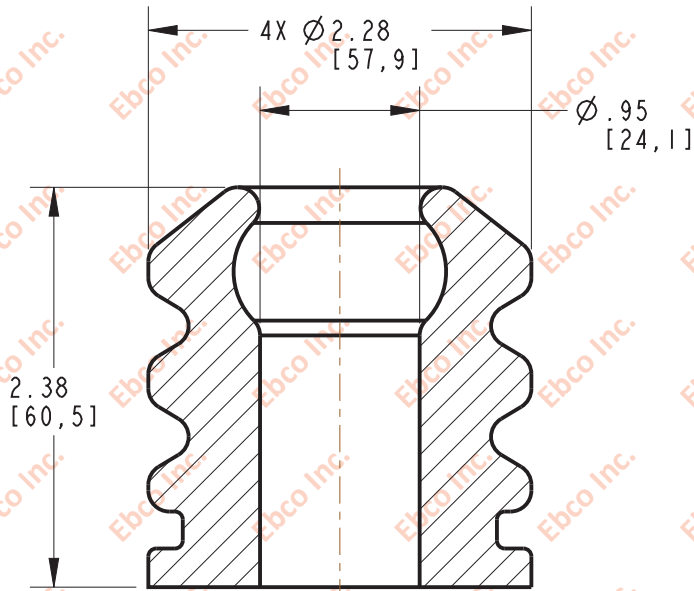
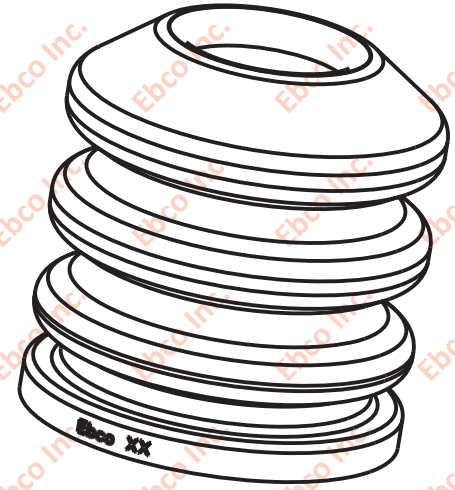
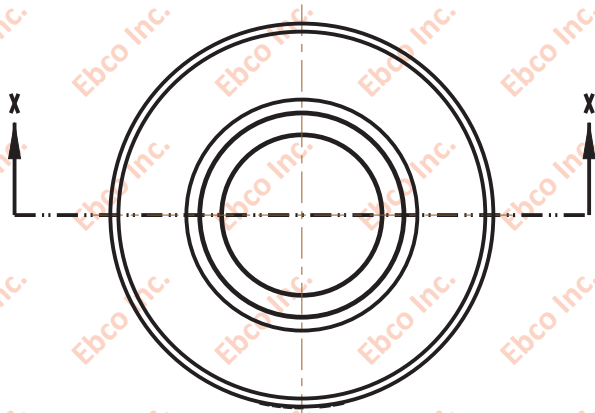


1070



SECTION X-X

AXIAL COMPRESSION SPECIFICATIONS

PART NUMBER	MAX. AXIAL DEFLECTION		MAX. AXIAL LOAD	
	in	mm	lb	N
1070-73	.30	7.62	70	311
1070-74			90	400
1070-75			115	512



TITLE: 1070	
THE INFORMATION CONTAINED IN THIS DRAWING IS THE SOLE PROPERTY OF EBCO. ANY REPRODUCTION IN PART OR AS A WHOLE WITHOUT THE WRITTEN PERMISSION OF EBCO IS PROHIBITED.	
TOLERANCES PER RMA STANDARD A3	REV. A
DATE: 01-30-17	UNITS: INCH [MM]

1330 HOLMES RD. ELGIN, IL 60123

SPECIFICATIONS SUBJECT TO CHANGE