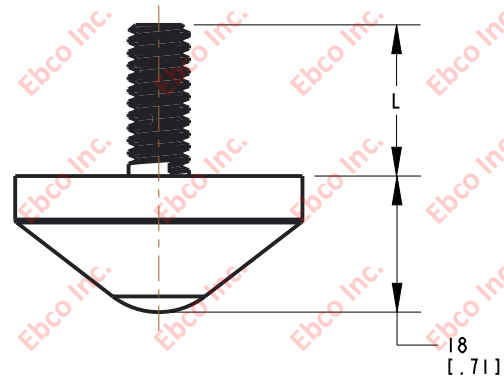
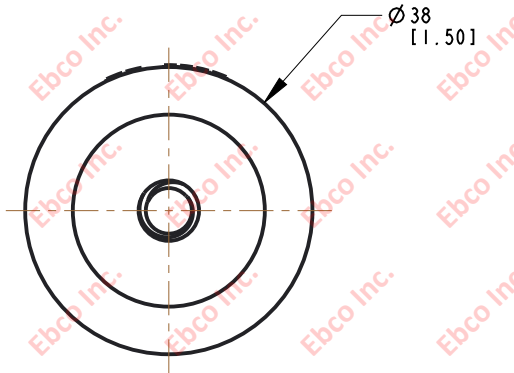


1066

DWG. NO.



HARDWARE SPECIFICATIONS

PART NO.	THREAD TYPE	L
1066-XX-PS	M8X1.25	20,0 [± 0.79]

AXIAL COMPRESSION SPECIFICATIONS

PART NUMBER		MAX. RECOMMENDED STATIC LOAD		REFERENCE STIFFNESS	
NATURAL RUBBER	NEOPRENE	lb	N	lb/in	N/mm
1066-73-XX	1066-83-XX	16	979	200	35

	TITLE:	1066	
	<small>THE INFORMATION CONTAINED IN THIS DRAWING IS THE SOLE PROPERTY OF EBCO ANY REPRODUCTION IN PART OR AS A WHOLE WITHOUT THE WRITTEN PERMISSION OF EBCO IS PROHIBITED.</small>		
	TOLERANCES PER RMA STANDARD	REV.	DATE:
	A3	B	06-14-21
<small>1330 HOLMES RD. ELGIN, IL 60123</small>		UNITS:	mm [INCH]
SPECIFICATIONS SUBJECT TO CHANGE			