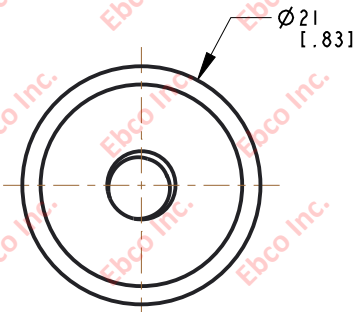
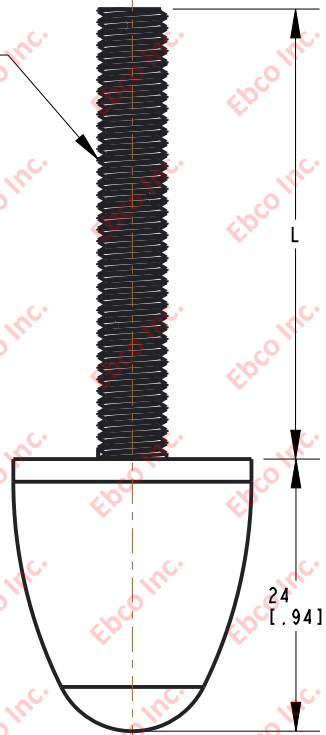


1062

DWG. NO.



THREAD TYPE



**HARDWARE SPECIFICATIONS**

PART NO.	THREAD TYPE	L
1062-XX-N14	M6X1	39,7 [1.56]

**AXIAL COMPRESSION SPECIFICATIONS**

PART NUMBER		MAX. RECOMMENDED STATIC LOAD		REFERENCE STIFFNESS	
NATURAL RUBBER	NEOPRENE	lb	N	lb/in	N/mm
1062-79-XX	1062-89-XX	60	267	500	88



TITLE: 1062

THE INFORMATION CONTAINED IN THIS DRAWING IS THE SOLE PROPERTY OF EBCO ANY REPRODUCTION IN PART OR AS A WHOLE WITHOUT THE WRITTEN PERMISSION OF EBCO IS PROHIBITED.

TOLERANCES PER RMA STANDARD A3

REV. **B**

DATE: 06-14-21  
UNITS: mm [INCH]

1330 HOLMES RD. ELGIN, IL 60123

SPECIFICATIONS SUBJECT TO CHANGE