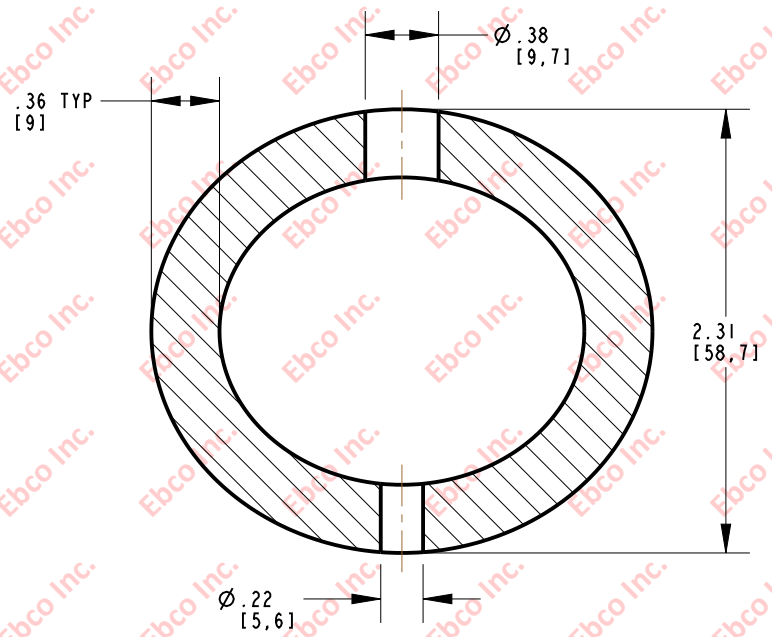
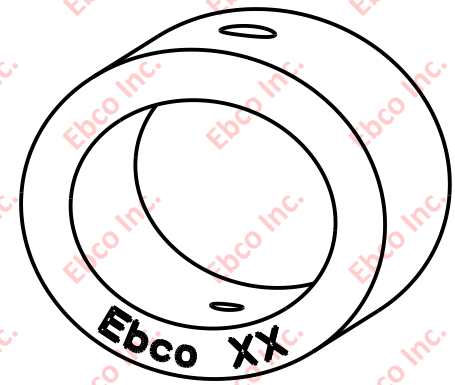
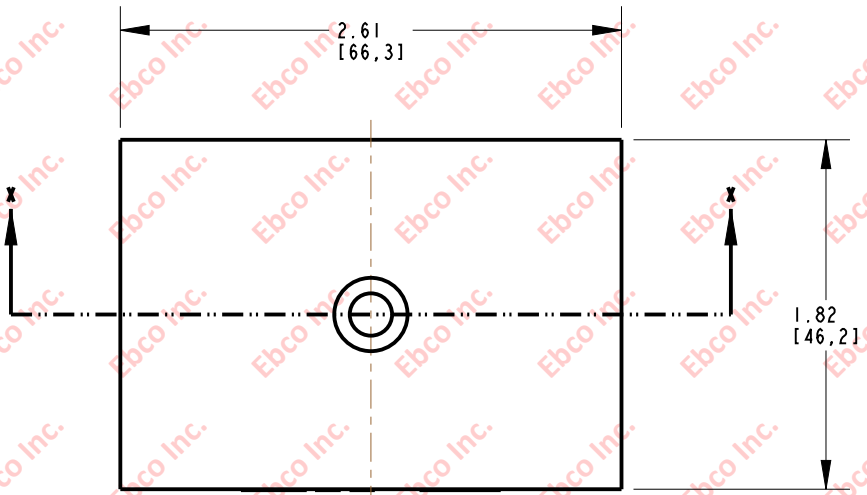


1055

DRG. NO.

B

A



SECTION X-X

SPECIFICATIONS

| PART NUMBER | AXIAL DEFLECTION | | AXIAL LOAD | |
|-------------|------------------|-------|------------|-----|
| | in | mm | lb | N |
| 1055-H0 | 0.6 | 15.24 | 100 | 445 |
| 1055-HI | | | 140 | 623 |



| | |
|---|------------------|
| TITLE: 1055 | |
| THE INFORMATION CONTAINED IN THIS DRAWING IS THE SOLE PROPERTY OF EBCO ANY REPRODUCTION IN PART OR AS A WHOLE WITHOUT THE WRITTEN PERMISSION OF EBCO IS PROHIBITED. | |
| TOLERANCES PER RMA STANDARD A3 | REV. B |
| DATE: 11-14-16 | UNITS: INCH [MM] |
| 1330 HOLMES RD. ELGIN, IL 60123 | |

SPECIFICATIONS SUBJECT TO CHANGE