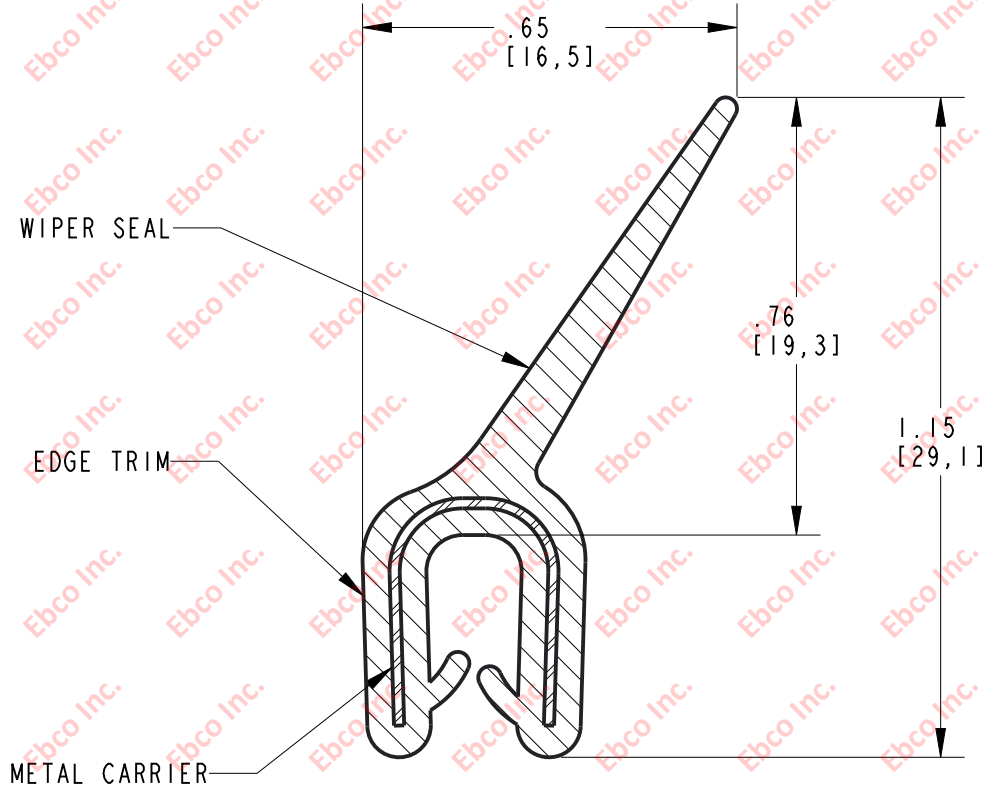


MC9210

DRG. NO.



CLAMPING RANGE: .06 [1,57] - .12 [2,98]
 EDGE TRIM: DENSE EPDM
 WIPER SEAL: DENSE EPDM
 METAL CARRIER: STEEL



TITLE: MC9210		
THE INFORMATION CONTAINED IN THIS DRAWING IS THE SOLE PROPERTY OF EBCO. ANY REPRODUCTION IN PART OR AS A WHOLE WITHOUT THE WRITTEN PERMISSION OF EBCO IS PROHIBITED.		
TOLERANCES PER RMA STANDARD E3	REV. A	DATE: 06-22-20
		UNITS: INCH [MM]

1330 HOLMES RD. ELGIN, IL 60123

SPECIFICATIONS SUBJECT TO CHANGE