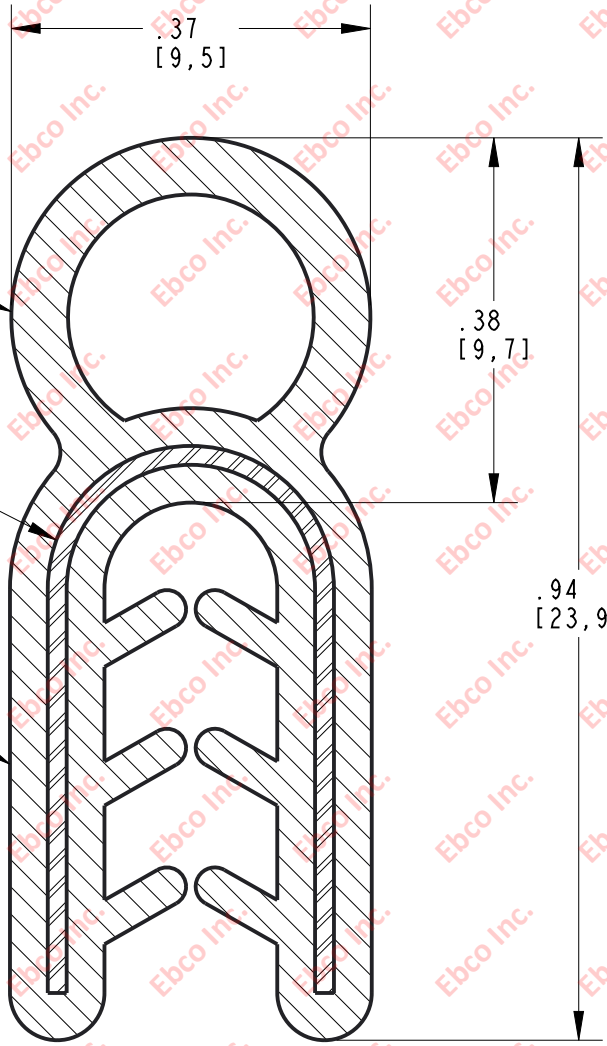


MC9100

DRG. NO.

B

A



SEALING BULB

METAL CARRIER

EDGE TRIM

CLAMPING RANGE: $.02$ [.60] - $.06$ [1.57]
 EDGE TRIM: DENSE EPDM
 SEALING BULB: DENSE EPDM
 METAL CARRIER: STEEL



TITLE: MC9100		
THE INFORMATION CONTAINED IN THIS DRAWING IS THE SOLE PROPERTY OF EBCO. ANY REPRODUCTION IN PART OR AS A WHOLE WITHOUT THE WRITTEN PERMISSION OF EBCO IS PROHIBITED.		
TOLERANCES PER RMA STANDARD E3	REV. A	DATE: 07-31-17
		UNITS: INCH [MM]
1330 HOLMES RD. ELGIN, IL 60123		

SPECIFICATIONS SUBJECT TO CHANGE

2