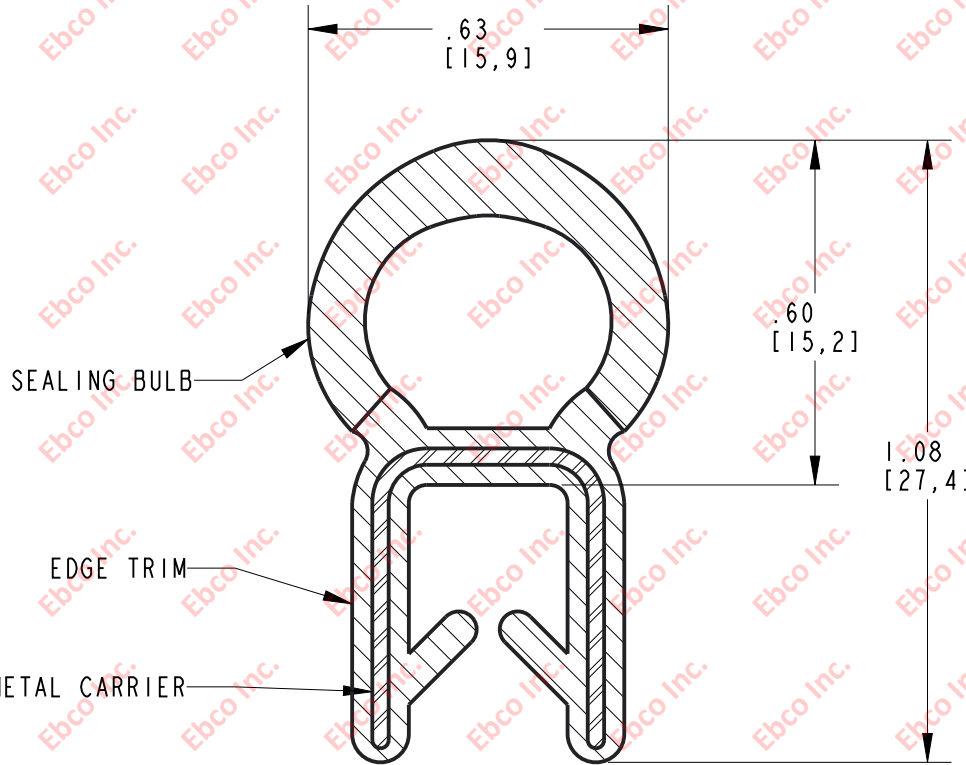


MC1080

DWG. NO.



CUT LENGTH SPECIFICATION

| PART NO. | CUT LENGTH |
|-------------|-------------|
| MC1080 | BULK |
| MC1080-0250 | 9.84 [250] |
| MC1080-0276 | 10.87 [276] |
| MC1080-0575 | 22.64 [575] |

CLAMPING RANGE: $.07$ [1.85] - $.18$ [4.68]
 EDGE TRIM: DENSE EPDM
 SEALING BULB: SPONGE EPDM
 METAL CARRIER: STEEL



TITLE: MC1080
 THE INFORMATION CONTAINED IN THIS DRAWING IS THE SOLE PROPERTY OF EBCO. ANY REPRODUCTION IN PART OR AS A WHOLE WITHOUT THE WRITTEN PERMISSION OF EBCO IS PROHIBITED.
 TOLERANCES PER RMA STANDARD E3 & BEC2
 REV. A
 DATE: 07-07-17
 UNITS: INCH [MM]
 1330 HOLMES RD. ELGIN, IL 60123

SPECIFICATIONS SUBJECT TO CHANGE