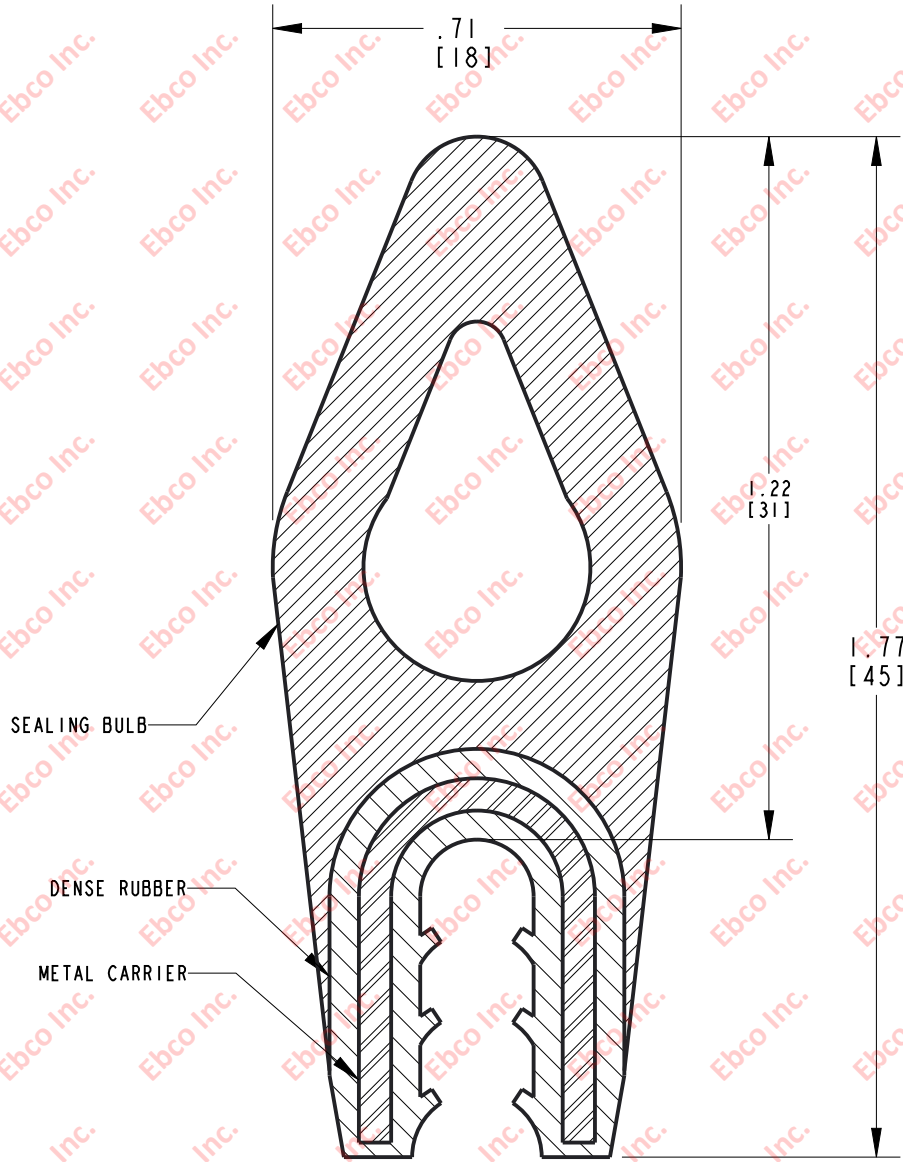


MC1060

DWG. NO.

B

A



SEALING BULB

DENSE RUBBER

METAL CARRIER

.71
[18]

1.22
[31]

1.77
[45]

EDGE TRIM: DENSE EPDM
SEALING BULB: SPONGE EPDM
METAL CARRIER: STEEL



TITLE: MC1060		
THE INFORMATION CONTAINED IN THIS DRAWING IS THE SOLE PROPERTY OF EBCO. ANY REPRODUCTION IN PART OR AS A WHOLE WITHOUT THE WRITTEN PERMISSION OF EBCO IS PROHIBITED.		
TOLERANCES PER RMA STANDARD E3 & BEC2	REV. A	DATE: 07-01-20
		UNITS: INCH [MM]

1330 HOLMES RD. ELGIN, IL 60123

SPECIFICATIONS SUBJECT TO CHANGE

2

B

A