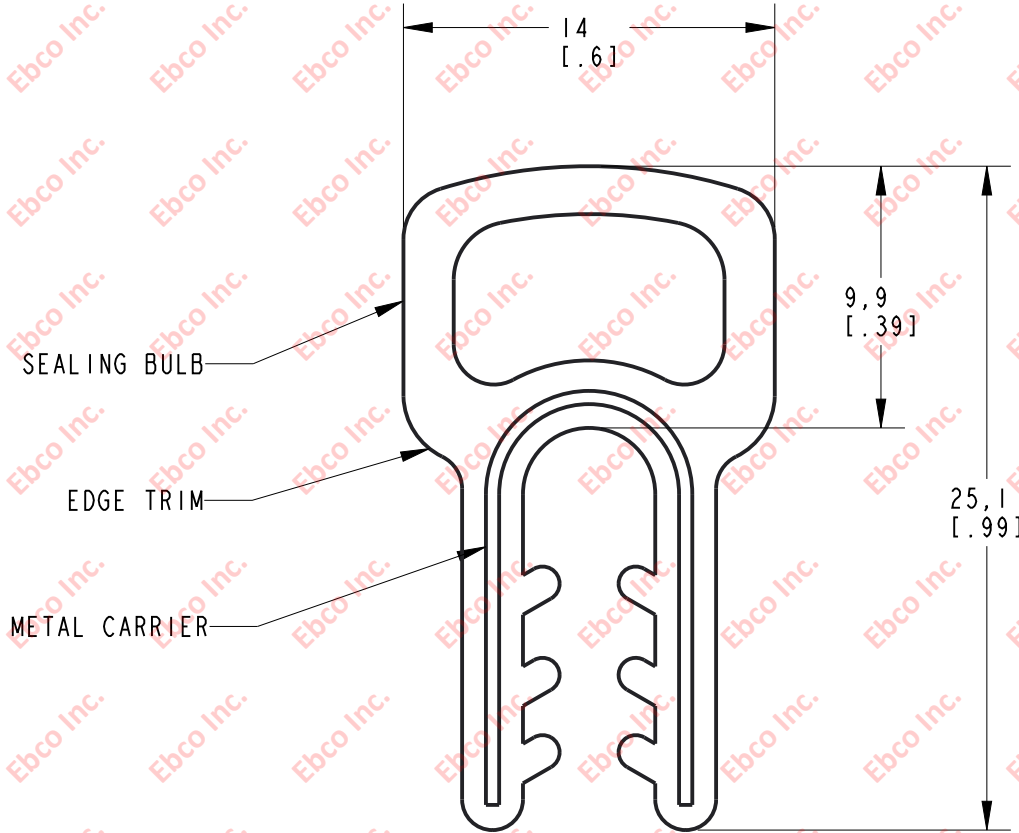


MC1032


IMP. NO.

B

A



REF CLAMPING RANGE: .12 [2.98] - .16 [3.96]
 EDGE TRIM: DENSE EPDM
 SEALING BULB: DENSE EPDM
 METAL CARRIER: STEEL

	TITLE: MC1032	
	<small>THE INFORMATION CONTAINED IN THIS DRAWING IS THE SOLE PROPERTY OF EBCO. ANY REPRODUCTION IN PART OR AS A WHOLE WITHOUT THE WRITTEN PERMISSION OF EBCO IS PROHIBITED.</small>	
	TOLERANCES PER RMA STANDARD A3	REV. D DATE: 03-09-22 UNITS: mm [INCH]
	1330 HOLMES RD. ELGIN, IL 60123	

SPECIFICATIONS SUBJECT TO CHANGE

2