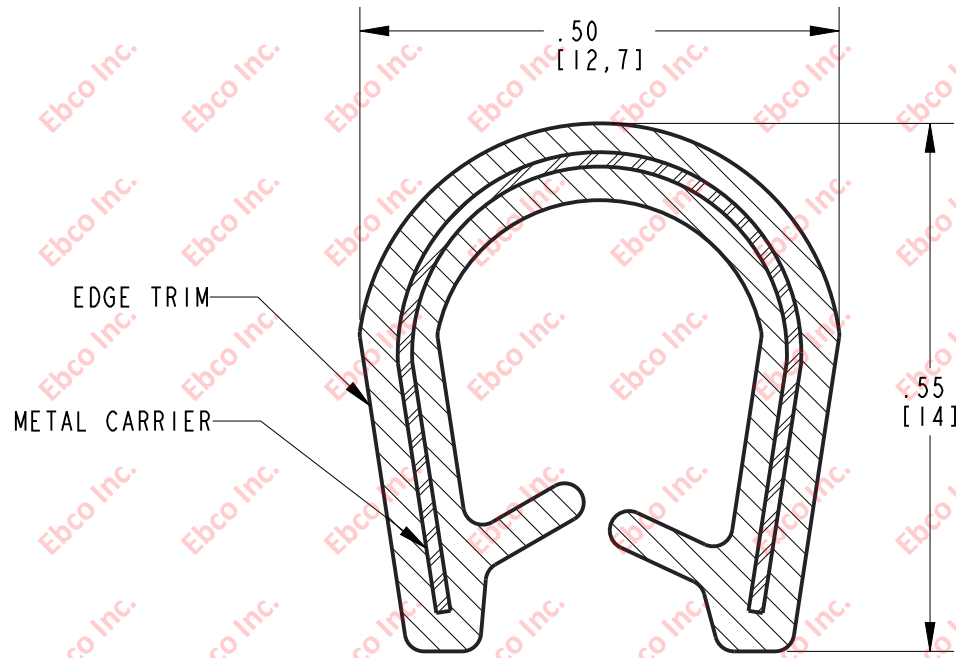


ET120

DWG. NO.

B

A



EDGE TRIM: DENSE EPDM
METAL CARRIER: STEEL



TITLE: ET120		
THE INFORMATION CONTAINED IN THIS DRAWING IS THE SOLE PROPERTY OF EBCO. ANY REPRODUCTION IN PART OR AS A WHOLE WITHOUT THE WRITTEN PERMISSION OF EBCO IS PROHIBITED.		
TOLERANCES PER RMA STANDARD E3	REV. A	DATE: 07-01-20
		UNITS: INCH [MM]
1330 HOLMES RD. ELGIN, IL 60123		
SPECIFICATIONS SUBJECT TO CHANGE		

2

B

A