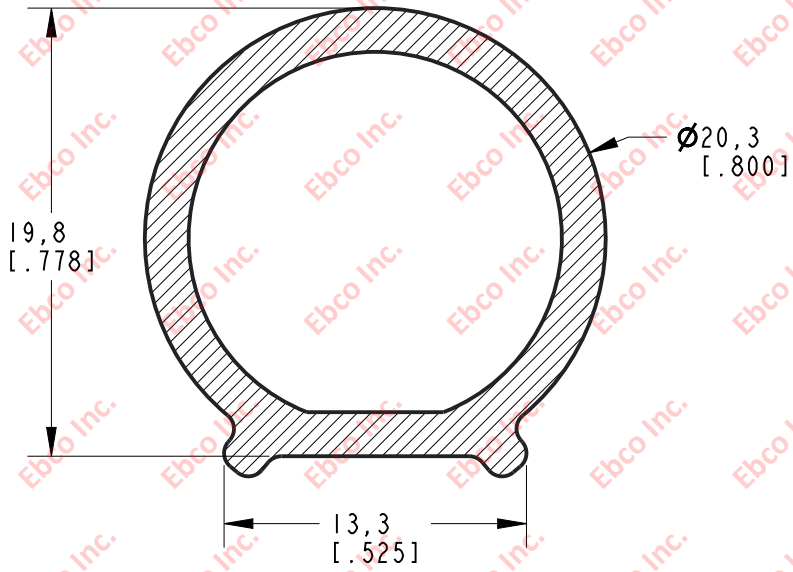


ES520


DRG. NO.

B

A



MATERIAL: SPONGE EPDM; AVAILABLE WITH ATTACHMENT CLIPS

 EbcO	TITLE: ES520	
	THE INFORMATION CONTAINED IN THIS DRAWING IS THE SOLE PROPERTY OF EBCO. ANY REPRODUCTION IN PART OR AS A WHOLE WITHOUT THE WRITTEN PERMISSION OF EBCO IS PROHIBITED.	
	TOLERANCES PER RMA STANDARD BEC2	REV. A
	DATE: 06-06-22	UNITS: mm [INCH]
1330 HOLMES RD. ELGIN, IL 60123		
SPECIFICATIONS SUBJECT TO CHANGE		

B

A

2