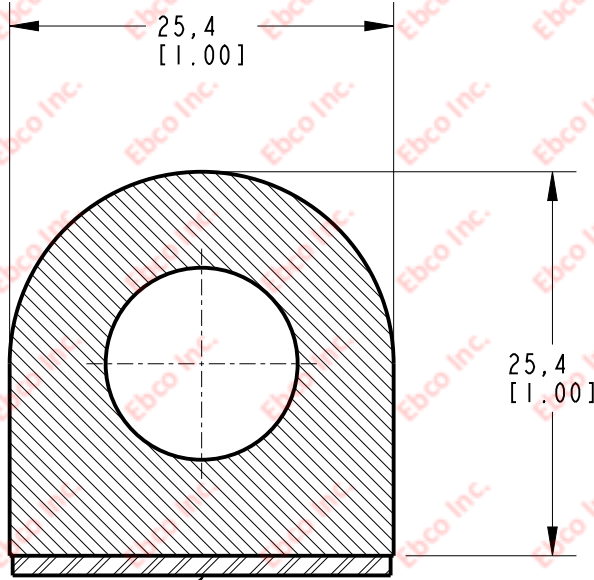



ES318

DWG. NO.



HATS TAPE

MATERIAL: SPONGE EPDM

	TITLE: ES318	
	THE INFORMATION CONTAINED IN THIS DRAWING IS THE SOLE PROPERTY OF EBCO ANY REPRODUCTION IN PART OR AS A WHOLE WITHOUT THE WRITER PERMISSION OF EBCO IS PROHIBITED.	
	TOLERANCES PER RMA STANDARD BEC2	REV. A
	DATE: 04-26-23	UNITS: mm [INCH]
1330 HOLMES RD. ELGIN, IL 60123		
SPECIFICATIONS SUBJECT TO CHANGE		