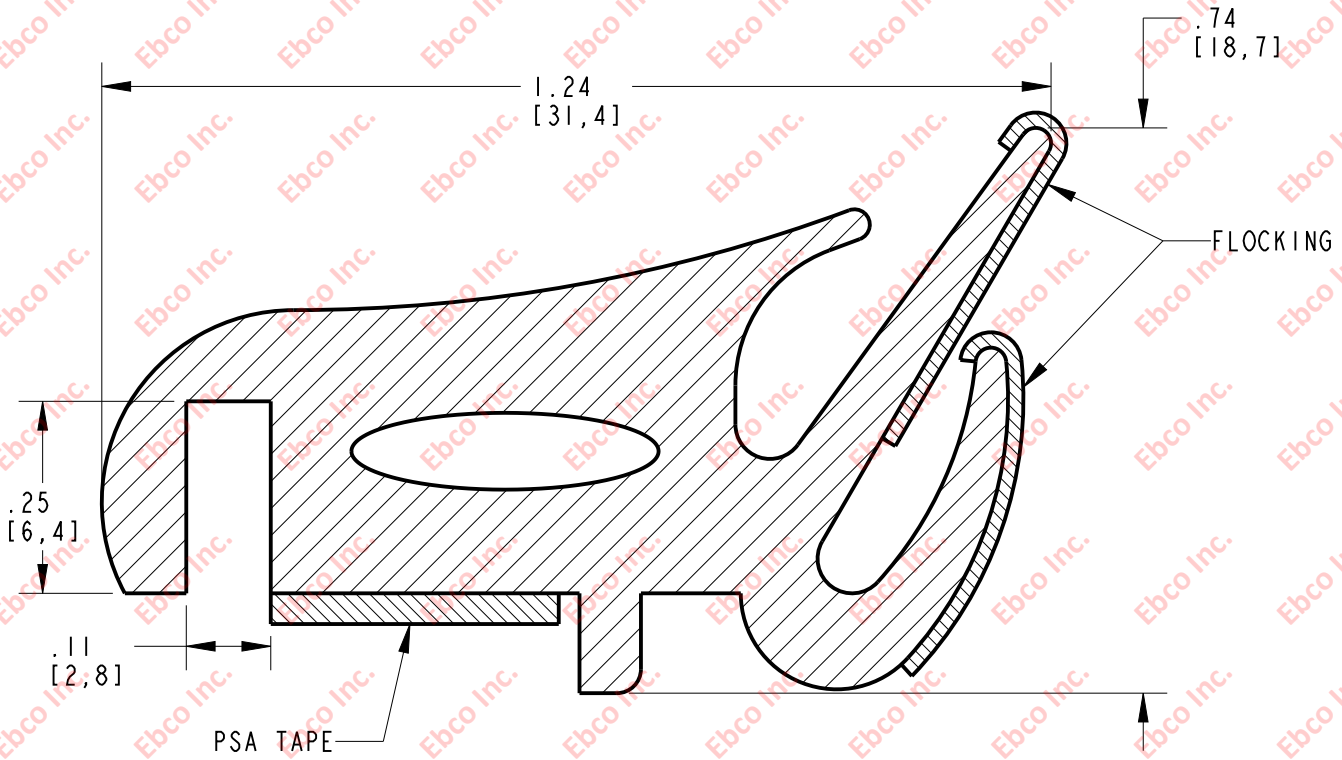


EF400

DRG. NO.


B

A



MATERIAL: DENSE EPDM

2

	TITLE: EF 400		
	<small>THE INFORMATION CONTAINED IN THIS DRAWING IS THE SOLE PROPERTY OF EBCO. ANY REPRODUCTION IN PART OR AS A WHOLE WITHOUT THE WRITTEN PERMISSION OF EBCO IS PROHIBITED.</small>		
	TOLERANCES PER RMA STANDARD E3	REV. B	DATE: 06-12-20 UNITS: INCH [MM]
	1330 HOLMES RD. ELGIN, IL 60123		
SPECIFICATIONS SUBJECT TO CHANGE			

B

A

2