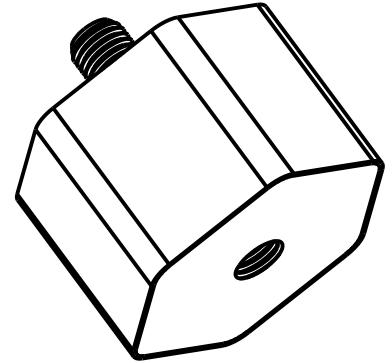


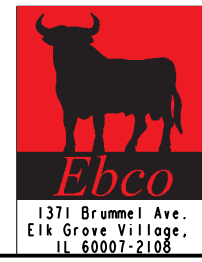
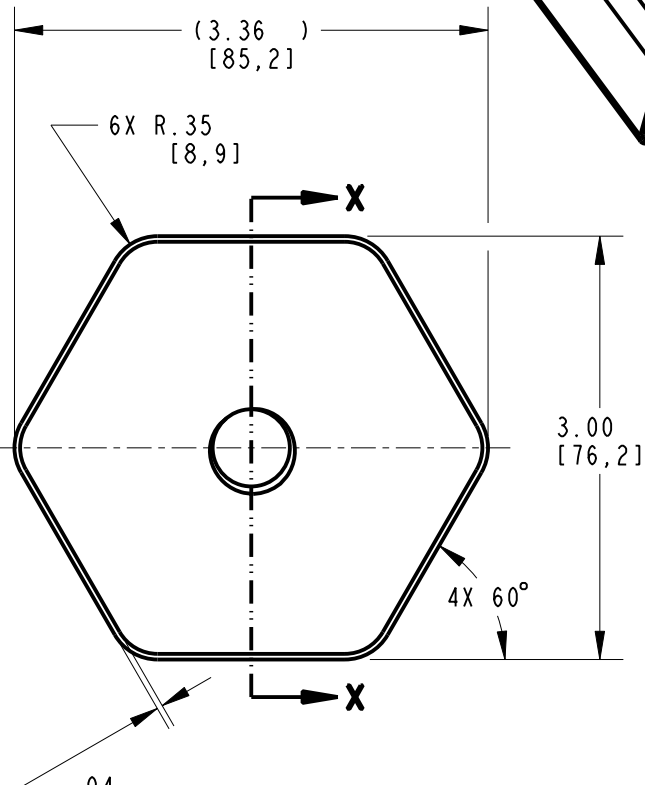
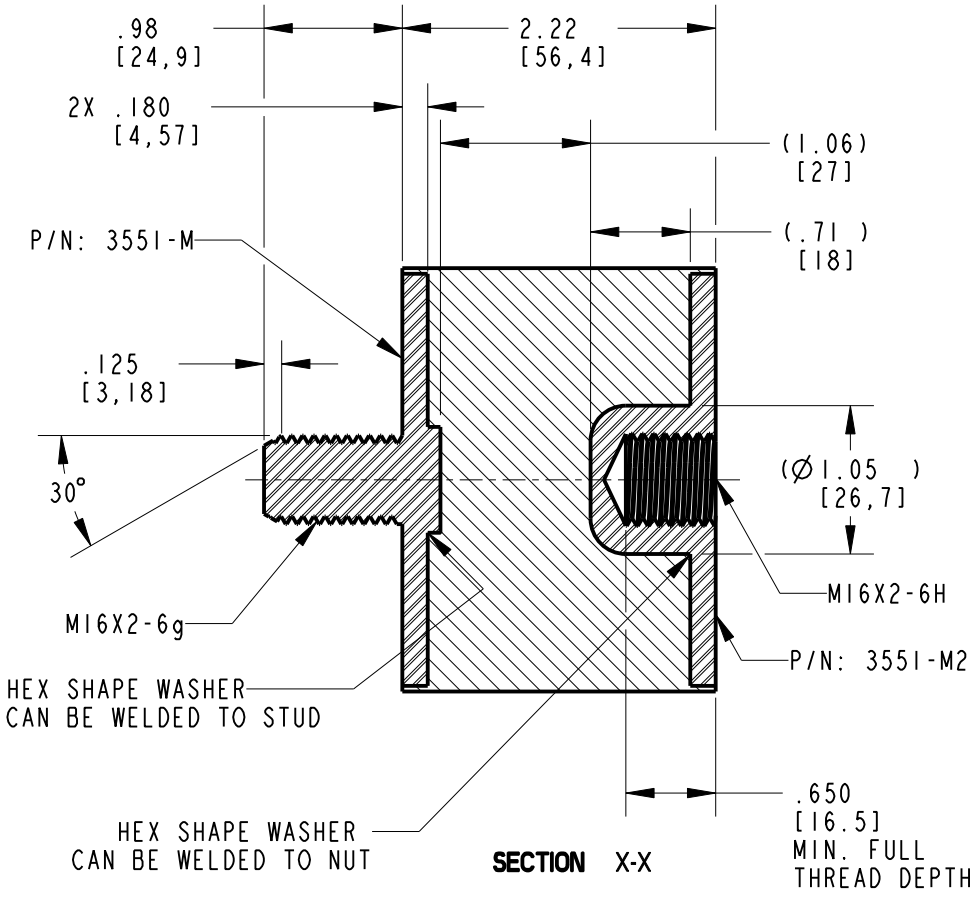
3551

DWG. NO.

REV	DATE	CHANGE DESCRIPTION	ENGR
01	09-28-05	INITIAL RELEASE	FA
02	03-13-06	CORRECTED P/N TABLE	FA
03	08-03-06	DIM. 2.22 WAS 2.18, ADDED COLOR CODE COLUMN TO TABLE	FA
04	11-30-06	REVISED P/N TABLE, -070 WAS -075	FA
05	03-06-07	UPDATED FORMAT	EL



SCALE 0.500



DESIGNED BY: FA	MANUFACTURING DRAWING	
DATE: 09-28-05	DO NOT SCALE THIS DRAWING	THIRD ANGLE PROJECTION
REV. 05	NOTICE: THIS DRAWING CONTAINS PROPRIETARY INFORMATION AND MAY NOT BE USED FOR ANY OTHER PURPOSE THAN AS AUTHORIZED BY EBCO.	
TITLE: MOUNT, HEX, M/F THREADS		
TOLERANCES .XX=±.02 .XXX=±.010 ANG=±1°	DWG NO. 3551	UNITS INCH [MM]
SHEET 1 of 2		SCALE 0.750

