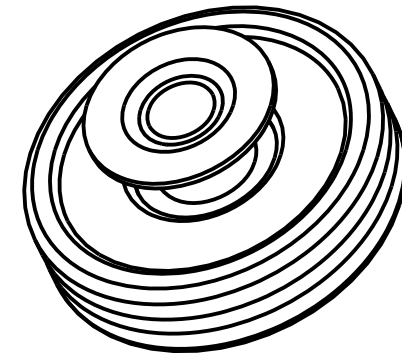
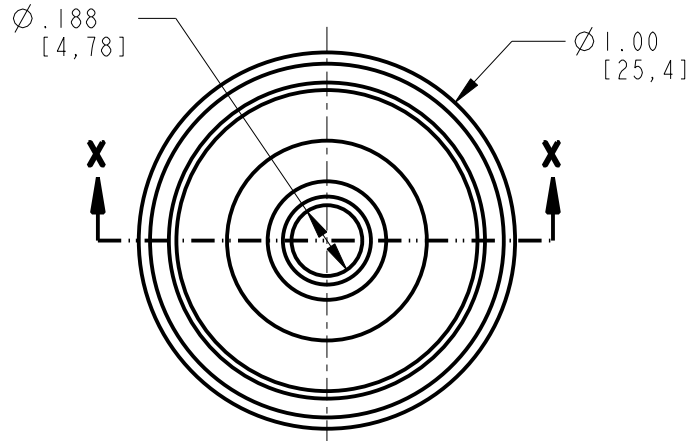


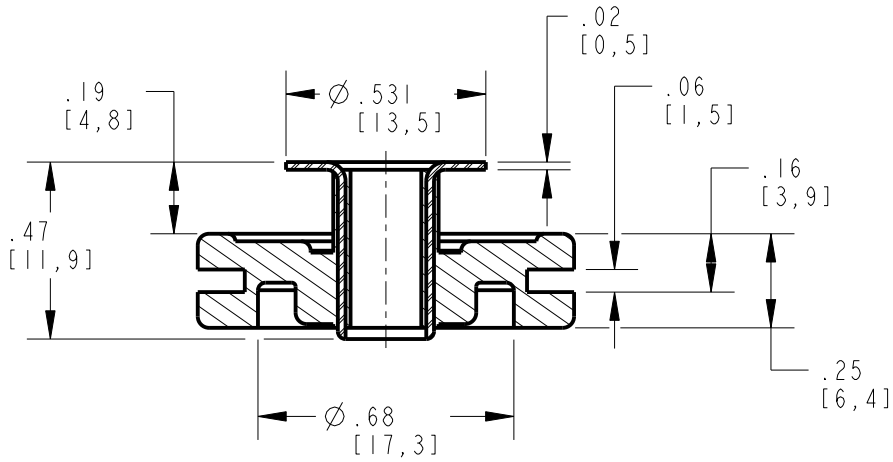
REV	DATE	CHANGE DESCRIPTION	ENGR
01	12-07-99	INITIAL RELEASE	KT
02	05-23-07	UPDATED FORMAT	EL

1800

DWG. NO.



SCALE 2.000



SECTION X-X

PART NO.	ELASTOMER	COLOR CODE	COLOR CODE METHOD
1800-040	0	NONE	N/A

NOTES:

- MATERIAL:
ELASTOMER #0: NEOPRENE IN ACCORDANCE WITH ASTM D2000.
3 BC X14 A14 B14 C12 F17 K11 Z, WHERE X= REFERENCE DUROMETER TYPE "A", SEE P/N AND Z= SUFFIX REQUIREMENTS APPLICABLE TO ONLY AVAILABLE DUROMETERS OF THIS GRADE.
METAL INSERT: BRASS
- DIMENSIONING AND TOLERANCING PER ASME Y14.5M-1994 STANDARD.



DESIGNED BY: KT	MANUFACTURING DRAWING		
DATE: 12-07-99	DO NOT SCALE THIS DRAWING	THIRD ANGLE PROJECTION	
REV. 02	NOTICE: THIS DRAWING CONTAINS PROPRIETARY INFORMATION AND MAY NOT BE USED FOR ANY OTHER PURPOSE THAN AS AUTHORIZED BY EBCO.		
TITLE: MOLDED GROMMET W/BRASS INSERT			
TOLERANCES .XX=±.02 .XXX=±.010 ANG=±1°	DWG NO. 1800	DWG SIZE A	UNITS INCH [MM]
1371 Brummel Ave. Elk Grove Village, IL 60007-2108		SHEET 1 of 1	SCALE 2.000