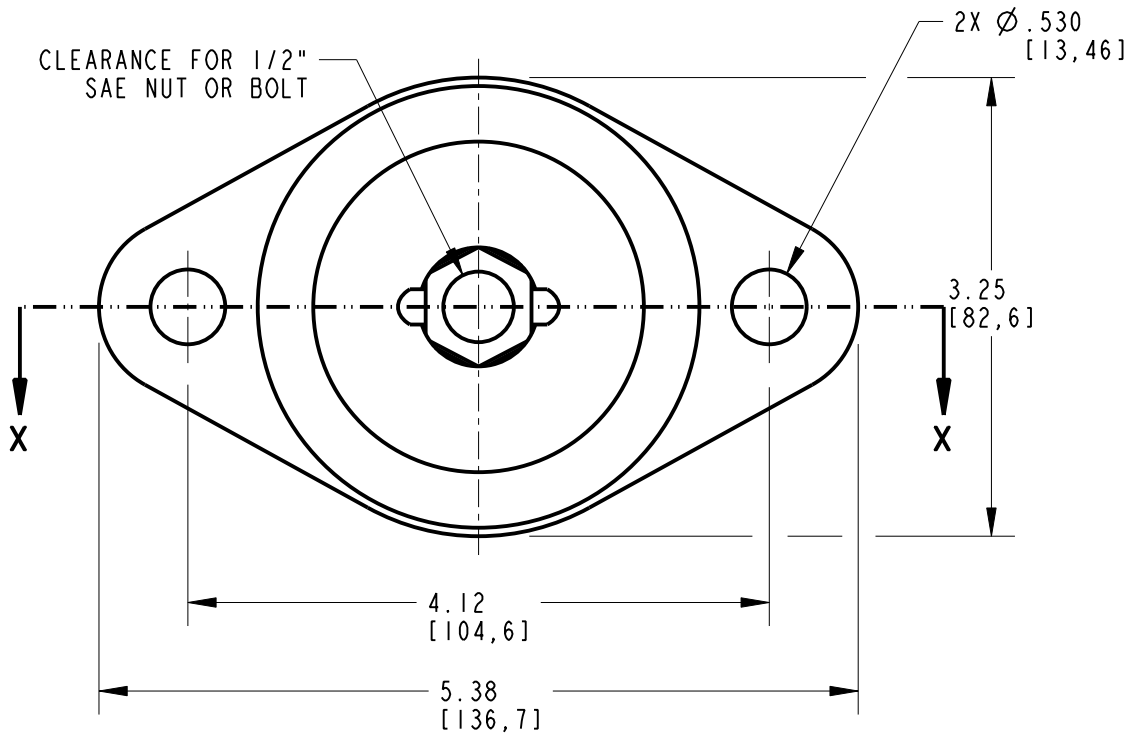
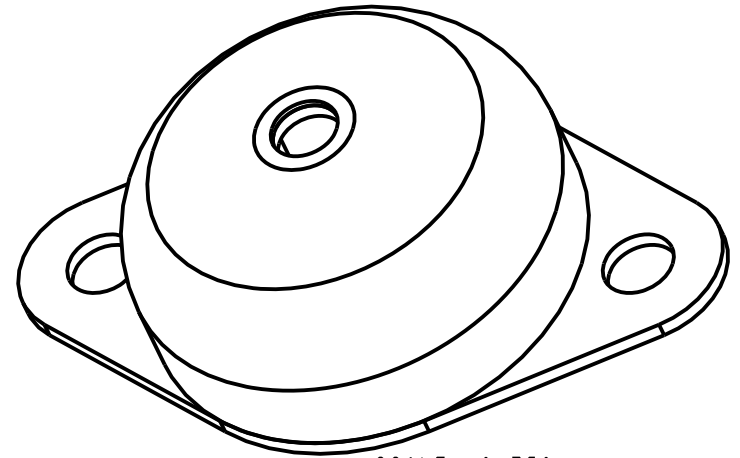
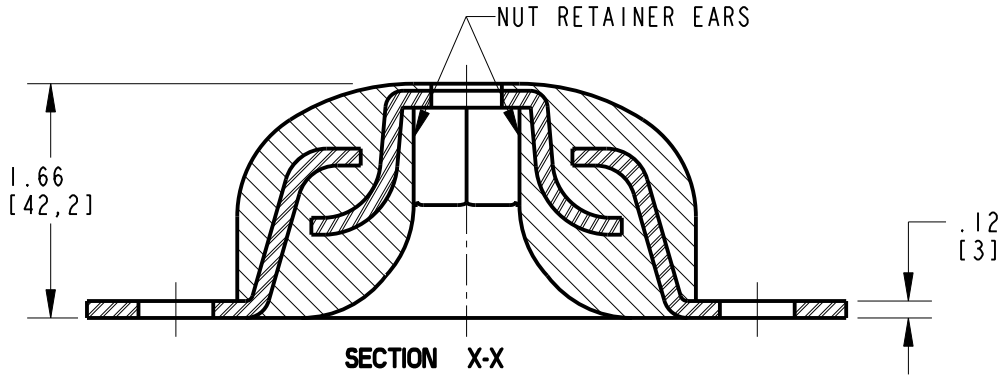


4610

DWG. NO.

REV	DATE	CHANGE DESCRIPTION	ENGR
01	03-22-07	INITIAL RELEASE	EL



DESIGNED BY: EL	MANUFACTURING DRAWING	
DATE: 03-22-07	DO NOT SCALE THIS DRAWING	THIRD ANGLE PROJECTION
REV. 01	NOTICE: THIS DRAWING CONTAINS PROPRIETARY INFORMATION AND MAY NOT BE USED FOR ANY OTHER PURPOSE THAN AS AUTHORIZED BY EBCO.	
TITLE: MOUNT, FAILSAFE	DWG NO. 4610	UNITS INCH [MM]
TOLERANCES .XX=±.02 .XXX=±.010 ANG=±1°	DWG SIZE A	SHEET 1 of 2
		SCALE 0.750

REV	DATE	CHANGE DESCRIPTION	ENGR
01	03-22-07	INITIAL RELEASE	EL

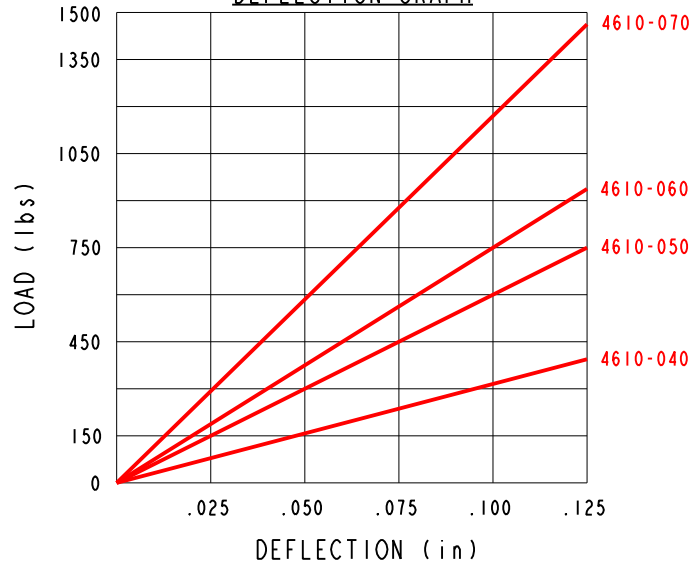
4610

DWG. NO.

AXIAL COMPRESSION SPECIFICATIONS

PART NO.	K VALUE (lbs/in)	MAX. RECOMMENDED DEFLECTION (in)	LOAD @ MAX. DEFLECTION (lbs)
4610-040	3000	0.125	375
4610-050	6400	0.125	800
4610-060	7400	0.125	925
4610-070	11500	0.125	1425

DEFLECTION GRAPH



ELASTOMER AND COLOR CODE SPECIFICATIONS

PART NO.	ELASTOMER	COLOR CODE	COLOR CODE METHOD
4610-040	0	GREEN	DOT
4610-050	0	YELLOW	DOT
4610-060	0	RED	DOT
4610-070	0	NONE	N/A

NOTES:

- MATERIAL:
ELASTOMER #0: NEOPRENE IN ACCORDANCE WITH ASTM D2000.
3 BC X14 A14 B14 C12 F17 K11 Z, WHERE X= REFERENCE DUROMETER TYPE "A", SEE P/N AND Z= SUFFIX REQUIREMENTS APPLICABLE TO ALL AVAILABLE DUROMETERS OF THIS GRADE.
METAL INSERT: AISI-SAE 1010-1030 STEEL OR EQUIVALENT.
- DIMENSIONING AND TOLERANCING PER ASME Y14.5M-1994 STANDARD.



DESIGNED BY: EL	MANUFACTURING DRAWING		
DATE: 03-22-07	DO NOT SCALE THIS DRAWING	THIRD ANGLE PROJECTION	
REV. 01	NOTICE: THIS DRAWING CONTAINS PROPRIETARY INFORMATION AND MAY NOT BE USED FOR ANY OTHER PURPOSE THAN AS AUTHORIZED BY EBCO.		
TITLE: MOUNT, FAILSAFE	DWG NO. 4610	DWG SIZE A	UNITS INCH [MM]
TOLERANCES .XX=±.02 .XXX=±.010 ANG=±1°	SHEET 2 of 2	SCALE 0.500	

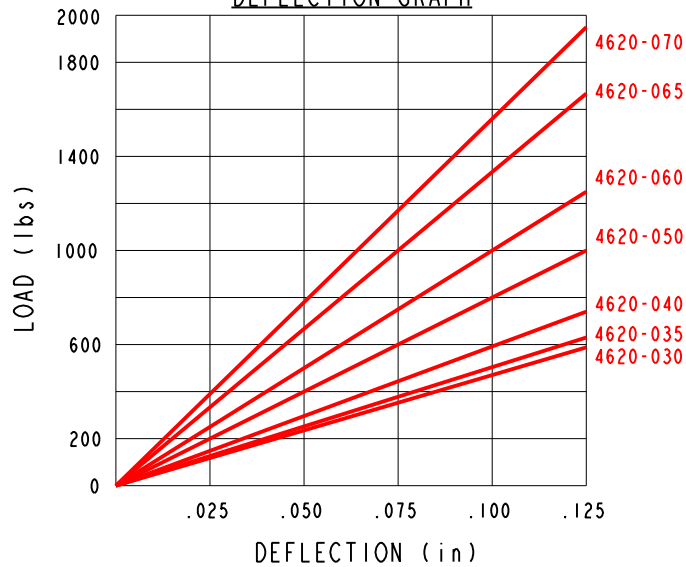
4620

DWG. NO.

AXIAL COMPRESSION SPECIFICATIONS

PART NO.	K VALUE (lbs/in)	MAX. RECOMMENDED DEFLECTION (in)	LOAD @ MAX. DEFLECTION (lbs)
4620-030-0	4704	0.125	588
4620-035-0	5040	0.125	630
4620-035-0-S	5040	0.125	630
4620-035-1	5040	0.125	630
4620-040-0	5920	0.125	740
4620-040-1	5920	0.125	740
4620-050-0	8000	0.125	1000
4620-050-1	8000	0.125	1000
4620-060-0	10240	0.125	1280
4620-060-0-S	10240	0.125	1280
4620-060-1	10240	0.125	1280
4620-065-1	13333	0.125	1667
4620-070	15600	0.125	1950

DEFLECTION GRAPH



REV	DATE	CHANGE DESCRIPTION	ENGR
01	03-14-07	INITIAL RELEASE	FA
02	04-30-07	ADDED REQUIRED DIMENSIONS	FA
03	06-12-07	ADDED PARTS -035-0-S & -060-0-S	EL
04	06-29-07	DIM .175 WAS .12 ADDED FEATURES (A)	EL

INDIVIDUAL PART SPECIFICATIONS

PART NO.	D1 (in) ACROSS FLATS, RUBBER HEX	D2 (in) ACROSS CORNERS RUBBER HEX	HEX INSERT	ELASTOMER	COLOR CODE, STAMP IN YELLOW
4620-030-0	1.06	1.23	MO	0	NONE
4620-035-0	1.06	1.23	MO	0	-01
4620-035-0-S	1.06	1.23	MO	0	-01
4620-035-1	1.25	1.44	MI	0	-02
4620-040-0	1.06	1.23	MO	0	NONE
4620-040-1	1.25	1.44	MI	0	-03
4620-050-0	1.06	1.23	MO	0	-04
4620-050-1	1.25	1.44	MI	0	-05
4620-060-0	1.06	1.23	MO	0	NONE
4620-060-0-S	1.06	1.23	MO	0	NONE
4620-060-1	1.25	1.44	MI	0	-06
4620-065-1	1.25	1.44	MI	0	-07
4620-070-1	1.25	1.44	MI	0	-08

NOTES:

- MATERIAL:
ELASTOMER #0: NEOPRENE IN ACCORDANCE WITH ASTM D2000.
3 BC X14 A14 B14 C12 F17 K11 Z, WHERE X= REFERENCE DUROMETER TYPE "A", SEE P/N
AND Z= SUFFIX REQUIREMENTS APPLICABLE TO ALL AVAILABLE DUROMETERS OF THIS GRADE.
FLANGE PLATE AND HEX INSERT: SAE 1010-1020 STEEL.
- THE HEX SHAPE SURFACE SHALL BE COVERED WITH NO MORE THAN 0.015" THICK RUBBER MATERIAL.
- DIMENSIONING AND TOLERANCING PER ASME Y14.5M-1994 STANDARD.



1371 Brummel Ave.
Elk Grove Village,
IL 60007-2108

DESIGNED BY: FA	MANUFACTURING DRAWING	
DATE: 03-14-07	DO NOT SCALE THIS DRAWING	THIRD ANGLE PROJECTION
REV. 04	NOTICE: THIS DRAWING CONTAINS PROPRIETARY INFORMATION AND MAY NOT BE USED FOR ANY OTHER PURPOSE THAN AS AUTHORIZED BY EBCO.	
TITLE: MOUNT, DOME	DWG NO. 4620	UNITS INCH [MM]
TOLERANCES .XX=±.02 .XXX=±.010 ANG=±1°	SHEET 2 of 2	SCALE 0.600